

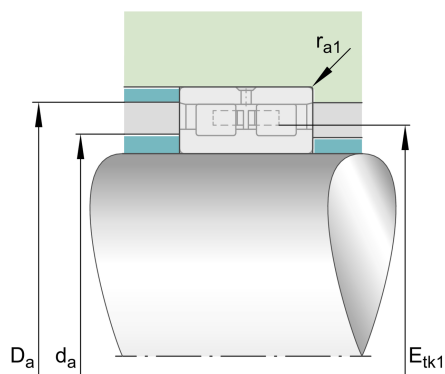
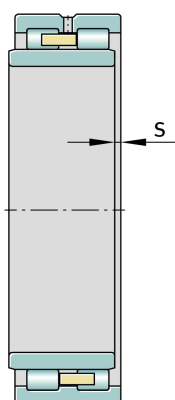
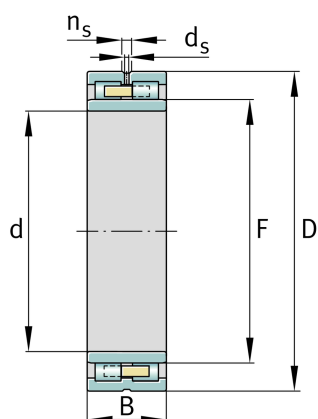
FAG

NNU4920-S-M-SP

Cylindrical roller bearing

Schaeffler ID:
0192327300000Super precision cylindrical roller bearings
NNU49..-S-M-SP, non-locating bearing,
double row, separable, with cage

Technical information

**Main Dimensions & Performance Data**

| | | |
|-----------------------|-------------|---------------------------------------|
| d | 100 mm | Bore diameter |
| D | 140 mm | Outside diameter |
| B | 40 mm | Width |
| C _r | 128.000 N | Basic dynamic load rating, radial |
| C _{0r} | 255.000 N | Basic static load rating, radial |
| C _{ur} | 33.500 N | Fatigue load limit, radial |
| n _{G Grease} | 5.700 1/min | Limiting speed for grease lubrication |
| n _{G Oil} | 6.700 1/min | Limiting speed for oil lubrication |
| | 1,912 kg | Weight |

Dimensions

| | | |
|--------------------|--------|-----------------------------|
| r _{1 min} | 1,1 mm | Minimum chamfer dimension |
| F | 113 mm | Raceway diameter inner ring |
| n _s | 6,5 mm | Width of lubricating groove |
| d _s | 3,2 mm | Diameter lubrication hole |
| s | 2 mm | Axial displacement |

Mounting dimensions

| | | |
|---------------------|--------|--------------------------------------|
| d _{a min} | 112 mm | Minimum diameter shaft shoulder |
| D _{a max} | 129 mm | Maximum diameter of housing shoulder |
| r _{a1 max} | 1 mm | Maximum recess radius |

Temperature range

| | | |
|------------------|--------|----------------------------|
| T _{min} | -30 °C | Operating temperature min. |
| T _{max} | 150 °C | Operating temperature max. |