

FAG

## ★ NNU4920-S-K-M-SP

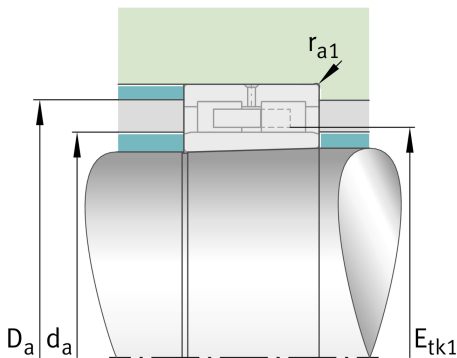
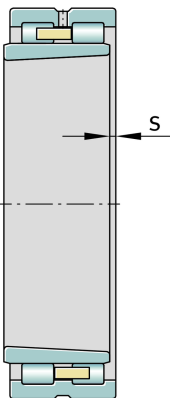
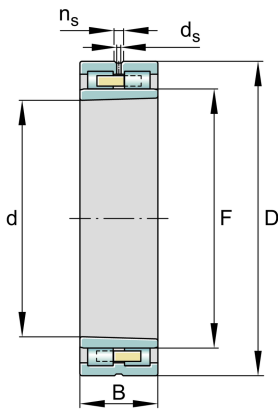
Cylindrical roller bearing

Schaeffler ID:  
0192327640000

★ Preferred product

Super precision cylindrical roller bearings NNU49..-S-K-M-SP, non-locating bearing, double row, with tapered bore, taper 1:12, separable, with cage

## Technical information



## Temperature range

$T_{min}$	-30 °C	Operating temperature min.
$T_{max}$	150 °C	Operating temperature max.
	1,855 kg	Weight

## Main Dimensions &amp; Performance Data

d	100 mm	Bore diameter
D	140 mm	Outside diameter
B	40 mm	Width
$C_r$	128.000 N	Basic dynamic load rating, radial
$C_{0r}$	255.000 N	Basic static load rating, radial
$C_{ur}$	33.500 N	Fatigue load limit, radial
$n_{G Grease}$	5.700 1/min	Limiting speed for grease lubrication
$n_{G Oil}$	6.700 1/min	Limiting speed for oil lubrication

## Dimensions

$r_{1 min}$	1,1 mm	Minimum chamfer dimension
F	113 mm	Raceway diameter inner ring
$n_s$	6,5 mm	Width of lubricating groove
$d_s$	3,2 mm	Diameter lubrication hole
s	2 mm	Axial displacement

## Mounting dimensions

$d_{a min}$	112 mm	Minimum diameter shaft shoulder
$D_{a max}$	129 mm	Maximum diameter of housing shoulder
$r_{a1 max}$	1 mm	Maximum recess radius