

FAG

## ★ NNU4922-S-K-M-SP

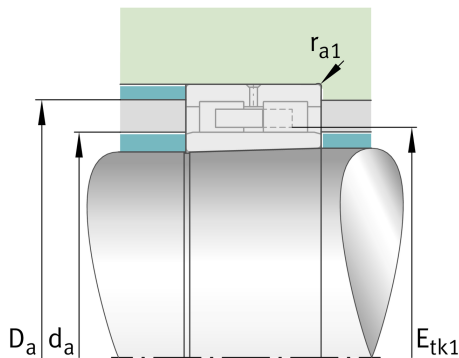
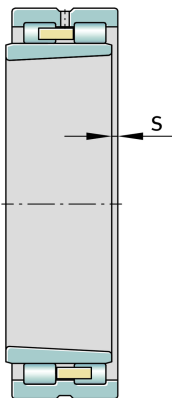
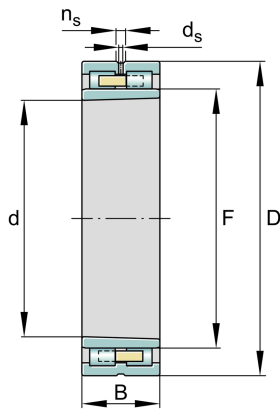
Cylindrical roller bearing

Schaeffler ID:  
0192328530000

★ Preferred product

Super precision cylindrical roller bearings NNU49..-S-K-M-SP, non-locating bearing, double row, with tapered bore, taper 1:12, separable, with cage

## Technical information



## Temperature range

$T_{min}$	-30 °C	Operating temperature min.
$T_{max}$	150 °C	Operating temperature max.
	1,999 kg	Weight

## Main Dimensions &amp; Performance Data

d	110 mm	Bore diameter
D	150 mm	Outside diameter
B	40 mm	Width
$C_r$	132.000 N	Basic dynamic load rating, radial
$C_{0r}$	270.000 N	Basic static load rating, radial
$C_{ur}$	35.000 N	Fatigue load limit, radial
$n_{G \text{ Grease}}$	5.400 1/min	Limiting speed for grease lubrication
$n_{G \text{ Oil}}$	6.300 1/min	Limiting speed for oil lubrication

## Dimensions

$r_{1 \text{ min}}$	1,1 mm	Minimum chamfer dimension
F	123 mm	Raceway diameter inner ring
$n_s$	6,5 mm	Width of lubricating groove
$d_s$	3,2 mm	Diameter lubrication hole
s	2 mm	Axial displacement

## Mounting dimensions

$d_{a \text{ min}}$	122 mm	Minimum diameter shaft shoulder
$D_{a \text{ max}}$	139 mm	Maximum diameter of housing shoulder
$r_{a1 \text{ max}}$	1 mm	Maximum recess radius