

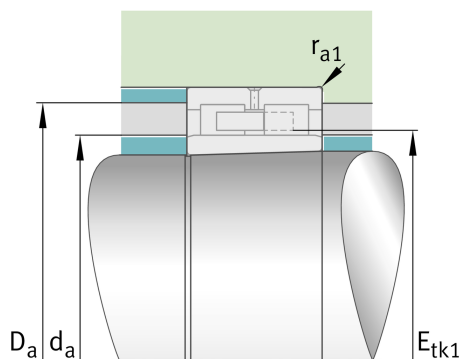
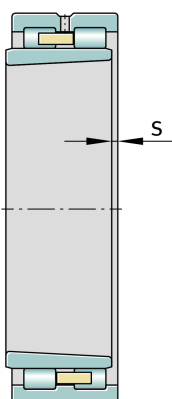
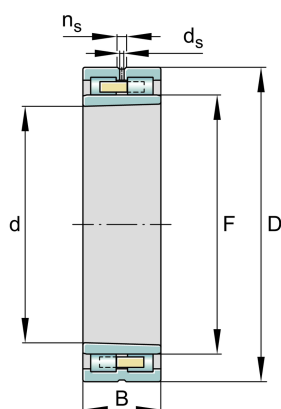
FAG

**NNU4926-S-K-M-SP**

Cylindrical roller bearing

Schaeffler ID:  
0192329850000Super precision cylindrical roller bearings  
NNU49..-S-K-M-SP, non-locating bearing,  
double row, with tapered bore, taper 1:12,  
separable, with cage

## Technical information

**Main Dimensions & Performance Data**

d	130 mm	Bore diameter
D	180 mm	Outside diameter
B	50 mm	Width
$C_r$	188.000 N	Basic dynamic load rating, radial
$C_{0r}$	385.000 N	Basic static load rating, radial
$C_{ur}$	45.500 N	Fatigue load limit, radial
$n_{G \text{ Grease}}$	4.450 1/min	Limiting speed for grease lubrication
$n_{G \text{ Oil}}$	5.300 1/min	Limiting speed for oil lubrication
	3,743 kg	Weight

**Dimensions**

$r_{1 \text{ min}}$	1,5 mm	Minimum chamfer dimension
F	146 mm	Raceway diameter inner ring
$n_s$	6,5 mm	Width of lubricating groove
$d_s$	3,2 mm	Diameter lubrication hole
s	2,7 mm	Axial displacement

**Mounting dimensions**

$d_{a \text{ min}}$	144,7 mm	Minimum diameter shaft shoulder
$D_{a \text{ max}}$	166 mm	Maximum diameter of housing shoulder
$r_{a1 \text{ max}}$	1,5 mm	Maximum recess radius

**Temperature range**

$T_{\text{min}}$	-30 °C	Operating temperature min.
$T_{\text{max}}$	150 °C	Operating temperature max.