

FAG

★ NNU4930-S-K-M-SP

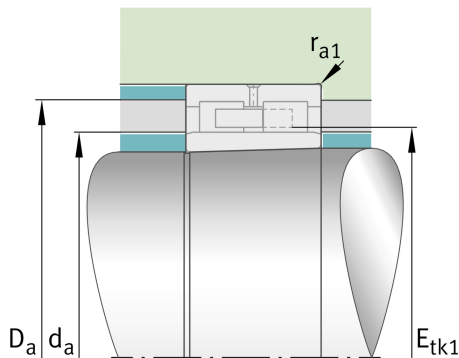
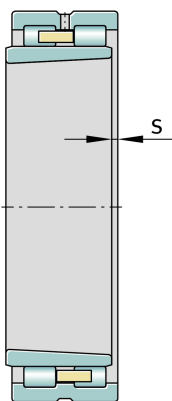
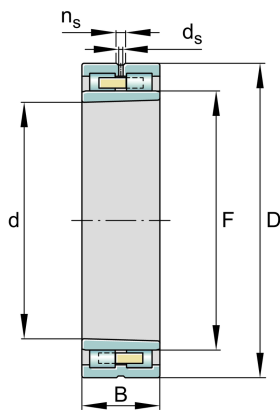
Cylindrical roller bearing

Schaeffler ID:
0192330940000

★ Preferred product

Super precision cylindrical roller bearings NNU49..-S-K-M-SP, non-locating bearing, double row, with tapered bore, taper 1:12, separable, with cage

Technical information



Temperature range

T_{\min}	-30 °C	Operating temperature min.
T_{\max}	150 °C	Operating temperature max.
	6,208 kg	Weight

Main Dimensions & Performance Data

d	150 mm	Bore diameter
D	210 mm	Outside diameter
B	60 mm	Width
C_r	330.000 N	Basic dynamic load rating, radial
C_{0r}	650.000 N	Basic static load rating, radial
C_{ur}	82.000 N	Fatigue load limit, radial
$n_{G \text{ Grease}}$	3.550 1/min	Limiting speed for grease lubrication
$n_{G \text{ Oil}}$	4.200 1/min	Limiting speed for oil lubrication

Dimensions

$r_{1 \min}$	2 mm	Minimum chamfer dimension
F	168,5 mm	Raceway diameter inner ring
n_s	6,5 mm	Width of lubricating groove
d_s	3,2 mm	Diameter lubrication hole
s	2,7 mm	Axial displacement

Mounting dimensions

$d_{a \min}$	167,2 mm	Minimum diameter shaft shoulder
$D_{a \max}$	196,5 mm	Maximum diameter of housing shoulder
$r_{a1 \max}$	2 mm	Maximum recess radius