

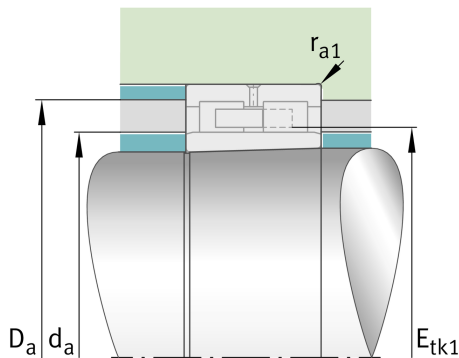
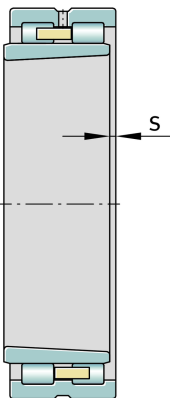
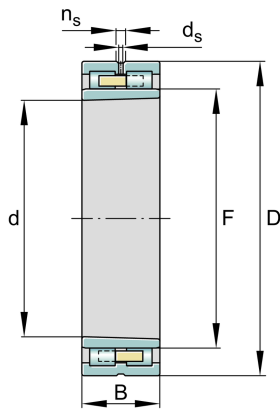
FAG

NNU4932-S-K-M-SP

Cylindrical roller bearing

Schaeffler ID:
0192331590000Super precision cylindrical roller bearings
NNU49...-S-K-M-SP, non-locating bearing,
double row, with tapered bore, taper 1:12,
separable, with cage

Technical information

**Temperature range**

T_{min}	-30 °C	Operating temperature min.
T_{max}	150 °C	Operating temperature max.
	6,398 kg	Weight

Main Dimensions & Performance Data

d	160 mm	Bore diameter
D	220 mm	Outside diameter
B	60 mm	Width
C_r	335.000 N	Basic dynamic load rating, radial
C_{0r}	680.000 N	Basic static load rating, radial
C_{ur}	84.000 N	Fatigue load limit, radial
$n_{G Grease}$	3.400 1/min	Limiting speed for grease lubrication
$n_{G Oil}$	4.000 1/min	Limiting speed for oil lubrication

Dimensions

$r_{1 min}$	2 mm	Minimum chamfer dimension
F	178,5 mm	Raceway diameter inner ring
n_s	6,5 mm	Width of lubricating groove
d_s	3,2 mm	Diameter lubrication hole
s	2,7 mm	Axial displacement

Mounting dimensions

$d_{a min}$	177,2 mm	Minimum diameter shaft shoulder
$D_{a max}$	206,5 mm	Maximum diameter of housing shoulder
$r_{a1 max}$	2 mm	Maximum recess radius