

FAG

★ NNU4934-S-K-M-SP

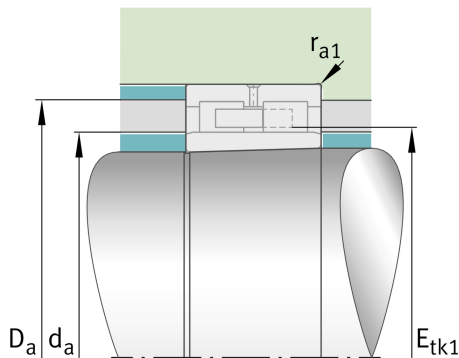
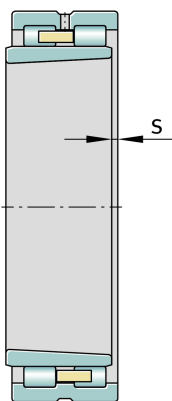
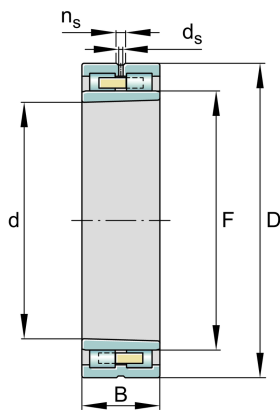
Cylindrical roller bearing

Schaeffler ID:
0192332210000

★ Preferred product

Super precision cylindrical roller bearings NNU49..-S-K-M-SP, non-locating bearing, double row, with tapered bore, taper 1:12, separable, with cage

Technical information



Temperature range

T_{min}	-30 °C	Operating temperature min.
T_{max}	150 °C	Operating temperature max.
	6,818 kg	Weight

Main Dimensions & Performance Data

d	170 mm	Bore diameter
D	230 mm	Outside diameter
B	60 mm	Width
C_r	340.000 N	Basic dynamic load rating, radial
C_{0r}	700.000 N	Basic static load rating, radial
C_{ur}	86.000 N	Fatigue load limit, radial
$n_{G Grease}$	3.300 1/min	Limiting speed for grease lubrication
$n_{G Oil}$	3.850 1/min	Limiting speed for oil lubrication

Dimensions

$r_{1 min}$	2 mm	Minimum chamfer dimension
F	188,5 mm	Raceway diameter inner ring
n_s	6,5 mm	Width of lubricating groove
d_s	3,2 mm	Diameter lubrication hole
s	2,7 mm	Axial displacement

Mounting dimensions

$d_{a min}$	187,2 mm	Minimum diameter shaft shoulder
$D_{a max}$	216,5 mm	Maximum diameter of housing shoulder
$r_{a1 max}$	2 mm	Maximum recess radius