

FAG

★ NNU4936-S-K-M-SP

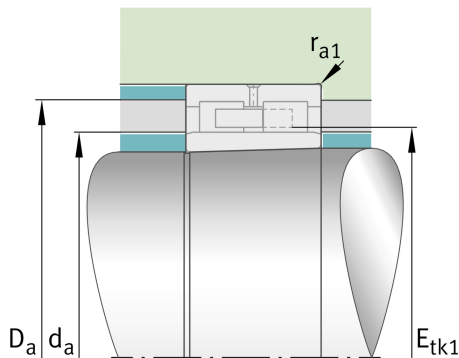
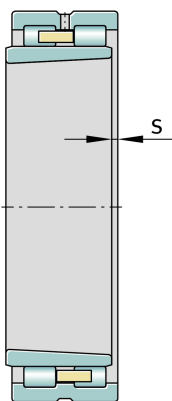
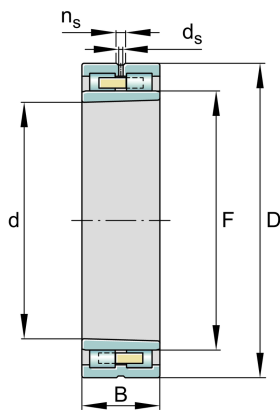
Cylindrical roller bearing

Schaeffler ID:
0192332720000

★ Preferred product

Super precision cylindrical roller bearings NNU49..-S-K-M-SP, non-locating bearing, double row, with tapered bore, taper 1:12, separable, with cage

Technical information



Temperature range

T_{min}	-30 °C	Operating temperature min.
T_{max}	150 °C	Operating temperature max.
	9,798 kg	Weight

Main Dimensions & Performance Data

d	180 mm	Bore diameter
D	250 mm	Outside diameter
B	69 mm	Width
C_r	405.000 N	Basic dynamic load rating, radial
C_{0r}	860.000 N	Basic static load rating, radial
C_{ur}	104.000 N	Fatigue load limit, radial
$n_{G \text{ Grease}}$	3.000 1/min	Limiting speed for grease lubrication
$n_{G \text{ Oil}}$	3.550 1/min	Limiting speed for oil lubrication

Dimensions

$r_{1 \text{ min}}$	2 mm	Minimum chamfer dimension
F	202 mm	Raceway diameter inner ring
n_s	9,5 mm	Width of lubricating groove
d_s	4,8 mm	Diameter lubrication hole
s	3,2 mm	Axial displacement

Mounting dimensions

$d_{a \text{ min}}$	200,5 mm	Minimum diameter shaft shoulder
$D_{a \text{ max}}$	232 mm	Maximum diameter of housing shoulder
$r_{a1 \text{ max}}$	2 mm	Maximum recess radius