

FAG

★ NNU4940-S-K-M-SP

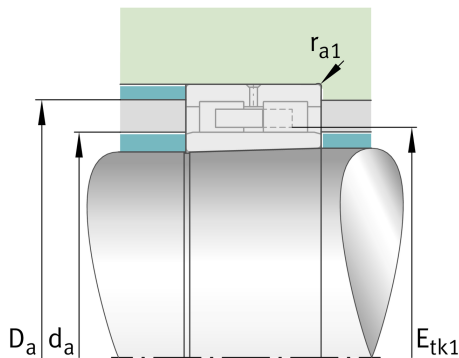
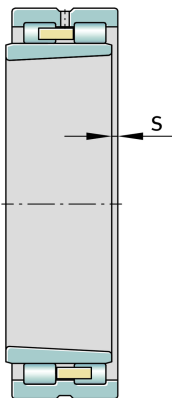
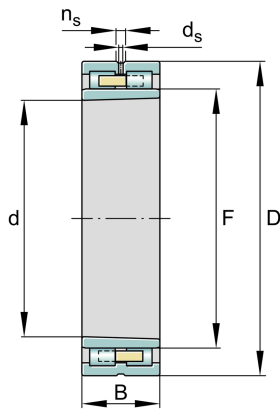
Cylindrical roller bearing

Schaeffler ID:
0192333960000

★ Preferred product

Super precision cylindrical roller bearings NNU49..-S-K-M-SP, non-locating bearing, double row, with tapered bore, taper 1:12, separable, with cage

Technical information



Temperature range

T_{\min}	-30 °C	Operating temperature min.
T_{\max}	150 °C	Operating temperature max.
	14,783 kg	Weight

Main Dimensions & Performance Data

d	200 mm	Bore diameter
D	280 mm	Outside diameter
B	80 mm	Width
C_r	490.000 N	Basic dynamic load rating, radial
C_{0r}	1.040.000 N	Basic static load rating, radial
C_{ur}	125.000 N	Fatigue load limit, radial
$n_{G \text{ Grease}}$	2.700 1/min	Limiting speed for grease lubrication
$n_{G \text{ Oil}}$	3.200 1/min	Limiting speed for oil lubrication

Dimensions

$r_{1 \min}$	2,1 mm	Minimum chamfer dimension
F	225 mm	Raceway diameter inner ring
n_s	12,2 mm	Width of lubricating groove
d_s	6,3 mm	Diameter lubrication hole
s	4,3 mm	Axial displacement

Mounting dimensions

$d_{a \min}$	223 mm	Minimum diameter shaft shoulder
$D_{a \max}$	259 mm	Maximum diameter of housing shoulder
$r_{a1 \max}$	2,1 mm	Maximum recess radius