

FAG

★ WS22208-E1-XL-2RSR

Spherical roller bearing

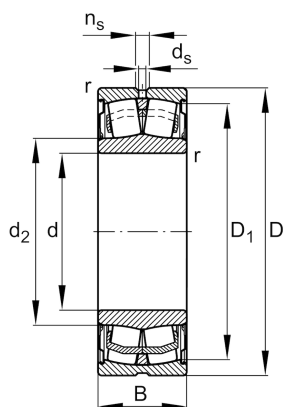
Schaeffler ID:
0800230700000

Sealed spherical roller bearings WS222...-E1, lip seals on both sides, for continuous casting machines

★ Preferred product

X-life

Technical information



Temperature range

T_{min}	-30 °C	Operating temperature min.
T_{max}	100 °C	Operating temperature max.
	0,602 kg	Weight

Main Dimensions & Performance Data

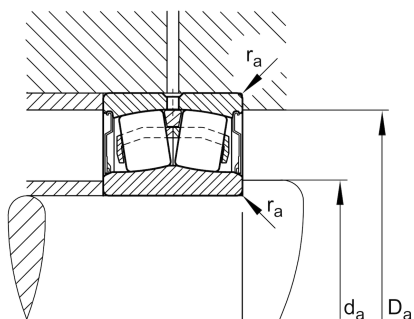
d	40 mm	Bore diameter
D	80 mm	Outside diameter
B	28 mm	Width
C_r	101.000 N	Basic dynamic load rating, radial
C_{0r}	91.000 N	Basic static load rating, radial
C_{ur}	12.100 N	Fatigue load limit, radial
n_G	2.600 1/min	Limiting speed

Dimensions

r_{min}	1,1 mm	Minimum chamfer dimension
D_1	72,6 mm	Bore diameter outer ring
d_2	45,9 mm	Raceway diameter of the inner ring
d_s	3,2 mm	Diameter lubrication hole
n_s	4,8 mm	Width of lubricating groove

Mounting dimensions

$d_{a min}$	45,9 mm	Minimum diameter shaft shoulder
$D_{a max}$	73 mm	Maximum diameter of housing shoulder
$r_{a max}$	1 mm	Maximum recess radius



Additional information

e	0,27	Limiting value of Fa/Fr for the applicability of diff. Values of factors X and Y
Y ₁	2,49	Dynamic axial load factor
Y ₂	3,71	Dynamic axial load factor
Y ₀	2,43	Static axial load factor