

FAG

## ★ WS22209-E1-XL-2RSR

Spherical roller bearing

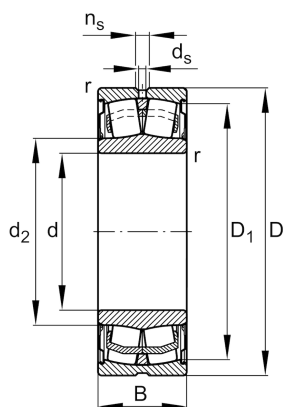
Schaeffler ID:  
0800237380000

Sealed spherical roller bearings WS222...-E1, lip seals on both sides, for continuous casting machines

★ Preferred product

X-life

## Technical information



## Temperature range

$T_{min}$	-30 °C	Operating temperature min.
$T_{max}$	100 °C	Operating temperature max.
	0,645 kg	Weight

## Main Dimensions &amp; Performance Data

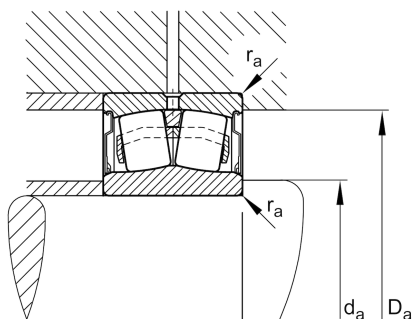
d	45 mm	Bore diameter
D	85 mm	Outside diameter
B	28 mm	Width
$C_r$	104.000 N	Basic dynamic load rating, radial
$C_{0r}$	99.000 N	Basic static load rating, radial
$C_{ur}$	13.000 N	Fatigue load limit, radial
$n_G$	2.550 1/min	Limiting speed

## Dimensions

$r_{min}$	1,1 mm	Minimum chamfer dimension
$D_1$	77,8 mm	Bore diameter outer ring
$d_2$	51,4 mm	Raceway diameter of the inner ring
$d_s$	3,2 mm	Diameter lubrication hole
$n_s$	4,8 mm	Width of lubricating groove

## Mounting dimensions

$d_{a min}$	51,4 mm	Minimum diameter shaft shoulder
$D_{a max}$	78 mm	Maximum diameter of housing shoulder
$r_{a max}$	1 mm	Maximum recess radius



**Additional information**

e	0,25	Limiting value of Fa/Fr for the applicability of diff. Values of factors X and Y
Y <sub>1</sub>	2,74	Dynamic axial load factor
Y <sub>2</sub>	4,08	Dynamic axial load factor
Y <sub>0</sub>	2,68	Static axial load factor