

FAG

WS22211-E1-XL-2RSR

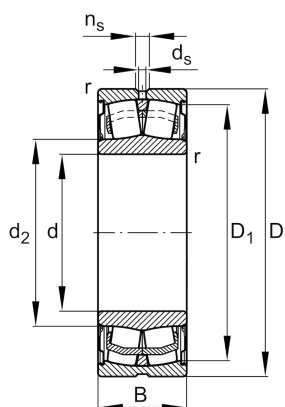
Spherical roller bearing

Schaeffler ID:
0800241570000

Sealed spherical roller bearings WS222..-E1, lip seals on both sides, for continuous casting machines

X-life

Technical information



Main Dimensions & Performance Data

d	55 mm	Bore diameter
D	100 mm	Outside diameter
B	31 mm	Width
C _r	129.000 N	Basic dynamic load rating, radial
C _{0r}	130.000 N	Basic static load rating, radial
C _{ur}	17.700 N	Fatigue load limit, radial
n _G	2.250 1/min	Limiting speed
	0,988 kg	Weight

Additional information

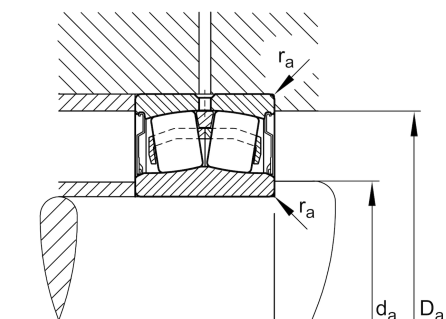
r _{min}	1,5 mm	Minimum chamfer dimension
D ₁	91,9 mm	Bore diameter outer ring
d ₂	63,5 mm	Raceway diameter of the inner ring
d _s	3,2 mm	Diameter lubrication hole
n _s	4,8 mm	Width of lubricating groove

Mounting dimensions

d _{a min}	63,5 mm	Minimum diameter shaft shoulder
D _{a max}	91,9 mm	Maximum diameter of housing shoulder
r _{a max}	1,5 mm	Maximum recess radius

Calculation factors

e	0,21	Limiting value of Fa/Fr for the applicability of diff. Values of factors X and Y
Y ₁	3,17	Dynamic axial load factor
Y ₂	4,72	Dynamic axial load factor
Y ₀	3,1	Static axial load factor



Temperature range

T _{min}	-30 °C	Operating temperature min.
T _{max}	100 °C	Operating temperature max.