

FAG

★ WS22217-E1-XL-2RSR

Spherical roller bearing

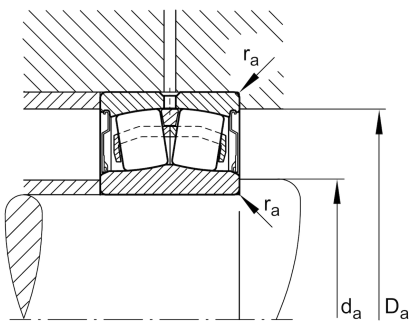
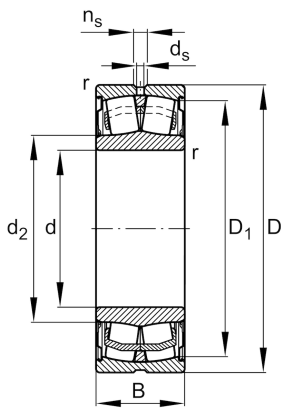
Schaeffler ID:
0800265080000

★ Preferred product

Sealed spherical roller bearings WS222...-E1, lip seals on both sides, for continuous casting machines

X-life

Technical information



Temperature range

T_{min}	-30 °C	Operating temperature min.
T_{max}	100 °C	Operating temperature max.
	2,93 kg	Weight

Main Dimensions & Performance Data

d	85 mm	Bore diameter
D	150 mm	Outside diameter
B	44 mm	Width
C_r	305.000 N	Basic dynamic load rating, radial
C_{0r}	325.000 N	Basic static load rating, radial
C_{ur}	39.000 N	Fatigue load limit, radial
n_G	1.420 1/min	Limiting speed

Dimensions

r_{min}	2 mm	Minimum chamfer dimension
D_1	137,1 mm	Bore diameter outer ring
d_2	96,5 mm	Raceway diameter of the inner ring
d_s	3,2 mm	Diameter lubrication hole
n_s	6,5 mm	Width of lubricating groove

Mounting dimensions

$d_{a min}$	96 mm	Minimum diameter shaft shoulder
$D_{a max}$	139 mm	Maximum diameter of housing shoulder
$r_{a max}$	2 mm	Maximum recess radius

Additional information

e	0,22	Limiting value of Fa/Fr for the applicability of diff. Values of factors X and Y
Y ₁	3,04	Dynamic axial load factor
Y ₂	4,53	Dynamic axial load factor
Y ₀	2,97	Static axial load factor