



FAG

★ 22238-BE-XL

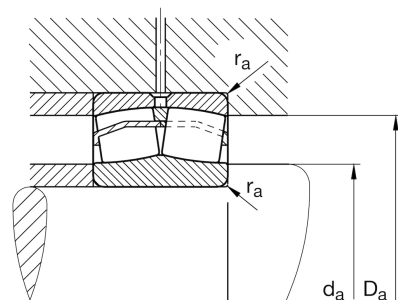
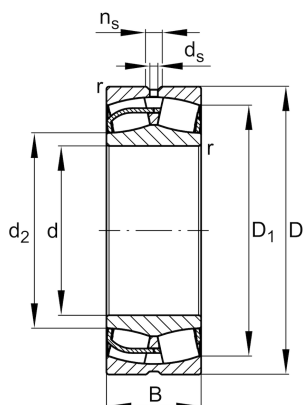
Spherical roller bearing

Schaeffler ID:
0684183100000Spherical roller bearings 222...-E1, main
dimensions to DIN 635-2

★ Preferred product

X-life

Technical information



Temperature range

T_{\min}	-30 °C	Operating temperature min.
------------	--------	----------------------------

T_{\max}	200 °C	Operating temperature max.
------------	--------	----------------------------

	35,465 kg	Weight
--	-----------	--------

Main Dimensions & Performance Data

d	190 mm	Bore diameter
D	340 mm	Outside diameter
B	92 mm	Width
C_r	1.360.000 N	Basic dynamic load rating, radial
C_{0r}	1.760.000 N	Basic static load rating, radial
C_{ur}	164.000 N	Fatigue load limit, radial
n_G	2.480 1/min	Limiting speed
n_{gr}	1.620 1/min	Reference speed

Dimensions

r_{\min}	4 mm	Minimum chamfer dimension
D_1	295,2 mm	Bore diameter outer ring
d_2	225,2 mm	Raceway diameter of the inner ring
d_s	9,5 mm	Diameter lubrication hole
n_s	17,7 mm	Width of lubricating groove

Mounting dimensions

$d_{a\min}$	207 mm	Minimum diameter shaft shoulder
$D_{a\max}$	323 mm	Maximum diameter of housing shoulder
$r_{a\max}$	3 mm	Maximum recess radius

Additional information

e	0,26	Limiting value of Fa/Fr for the applicability of diff. Values of factors X and Y
Y ₁	2,6	Dynamic axial load factor
Y ₂	3,87	Dynamic axial load factor
Y ₀	2,54	Static axial load factor