

FAG

## ★ 22210-E1-XL

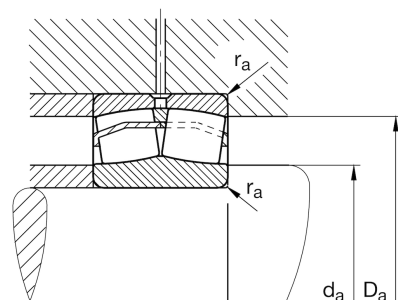
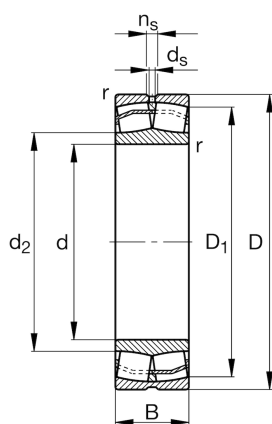
Spherical roller bearing

Schaeffler ID:  
0167035290000Spherical roller bearings 222...-E1, main  
dimensions to DIN 635-2

★ Preferred product

X-life

## Technical information



## Temperature range

$T_{min}$	-30 °C	Operating temperature min.
$T_{max}$	200 °C	Operating temperature max.
	0,585 kg	Weight

## Main Dimensions &amp; Performance Data

d	50 mm	Bore diameter
D	90 mm	Outside diameter
B	23 mm	Width
$C_r$	109.000 N	Basic dynamic load rating, radial
$C_{0r}$	107.000 N	Basic static load rating, radial
$C_{ur}$	14.600 N	Fatigue load limit, radial
$n_G$	9.800 1/min	Limiting speed
$n_{gr}$	5.100 1/min	Reference speed

## Dimensions

$r_{min}$	1,1 mm	Minimum chamfer dimension
$D_1$	80,8 mm	Bore diameter outer ring
$d_2$	59,9 mm	Raceway diameter of the inner ring
$d_s$	3,2 mm	Diameter lubrication hole
$n_s$	4,8 mm	Width of lubricating groove

## Mounting dimensions

$d_{a min}$	57 mm	Minimum diameter shaft shoulder
$D_{a max}$	83 mm	Maximum diameter of housing shoulder
$r_{a max}$	1 mm	Maximum recess radius

**Additional information**

e	0,23	Limiting value of Fa/Fr for the applicability of diff. Values of factors X and Y
Y <sub>1</sub>	2,95	Dynamic axial load factor
Y <sub>2</sub>	4,4	Dynamic axial load factor
Y <sub>0</sub>	2,89	Static axial load factor