

FAG

## ★ 22226-E1-XL

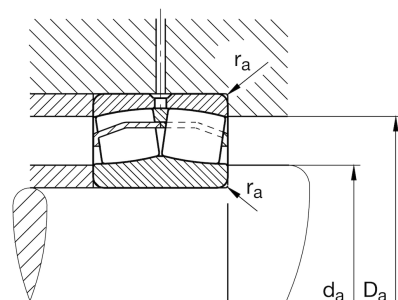
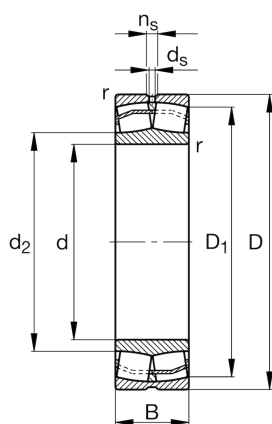
Spherical roller bearing

Schaeffler ID:  
0190004990000Spherical roller bearings 222...-E1, main  
dimensions to DIN 635-2

★ Preferred product

X-life

## Technical information



## Temperature range

$T_{\min}$	-30 °C	Operating temperature min.
$T_{\max}$	200 °C	Operating temperature max.
	11,03 kg	Weight

## Main Dimensions &amp; Performance Data

d	130 mm	Bore diameter
D	230 mm	Outside diameter
B	64 mm	Width
$C_r$	760.000 N	Basic dynamic load rating, radial
$C_{0r}$	890.000 N	Basic static load rating, radial
$C_{ur}$	81.000 N	Fatigue load limit, radial
$n_G$	3.350 1/min	Limiting speed
$n_{gr}$	2.500 1/min	Reference speed

## Dimensions

$r_{\min}$	3 mm	Minimum chamfer dimension
$D_1$	205 mm	Bore diameter outer ring
$d_2$	151,7 mm	Raceway diameter of the inner ring
$d_s$	6,3 mm	Diameter lubrication hole
$n_s$	12,2 mm	Width of lubricating groove

## Mounting dimensions

$d_{a\min}$	144 mm	Minimum diameter shaft shoulder
$D_{a\max}$	216 mm	Maximum diameter of housing shoulder
$r_{a\max}$	2,5 mm	Maximum recess radius

**Additional information**

e	0,26	Limiting value of Fa/Fr for the applicability of diff. Values of factors X and Y
Y <sub>1</sub>	2,62	Dynamic axial load factor
Y <sub>2</sub>	3,9	Dynamic axial load factor
Y <sub>0</sub>	2,56	Static axial load factor