

FAG

★ 22228-E1-XL

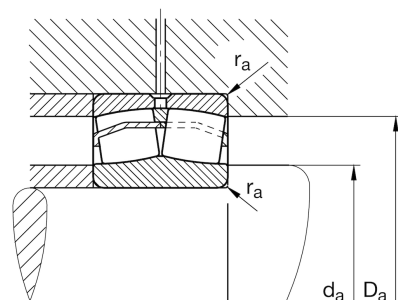
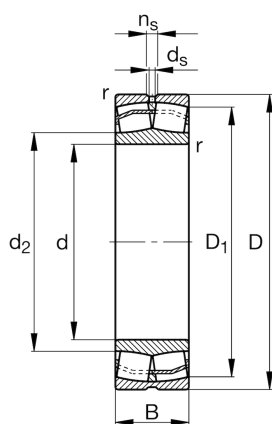
Spherical roller bearing

Schaeffler ID:
0190005290000Spherical roller bearings 222...-E1, main
dimensions to DIN 635-2

★ Preferred product

X-life

Technical information



Temperature range

T_{\min}	-30 °C	Operating temperature min.
T_{\max}	200 °C	Operating temperature max.
	14,004 kg	Weight

Main Dimensions & Performance Data

d	140 mm	Bore diameter
D	250 mm	Outside diameter
B	68 mm	Width
C_r	870.000 N	Basic dynamic load rating, radial
C_{0r}	1.040.000 N	Basic static load rating, radial
C_{ur}	100.000 N	Fatigue load limit, radial
n_G	3.150 1/min	Limiting speed
n_{gr}	2.250 1/min	Reference speed

Dimensions

r_{\min}	3 mm	Minimum chamfer dimension
D_1	223,1 mm	Bore diameter outer ring
d_2	164,9 mm	Raceway diameter of the inner ring
d_s	6,3 mm	Diameter lubrication hole
n_s	12,2 mm	Width of lubricating groove

Mounting dimensions

$d_{a\min}$	154 mm	Minimum diameter shaft shoulder
$D_{a\max}$	236 mm	Maximum diameter of housing shoulder
$r_{a\max}$	2,5 mm	Maximum recess radius

Additional information

e	0,25	Limiting value of Fa/Fr for the applicability of diff. Values of factors X and Y
Y ₁	2,67	Dynamic axial load factor
Y ₂	3,97	Dynamic axial load factor
Y ₀	2,61	Static axial load factor