

FAG

★ 22230-E1-XL

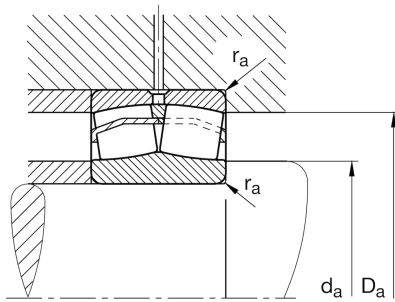
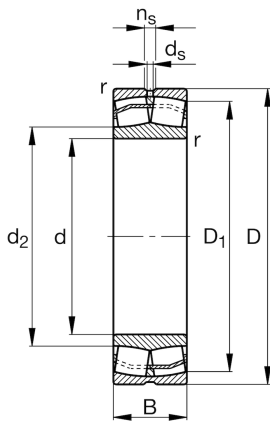
Spherical roller bearing

Schaeffler ID:
0190061790000Spherical roller bearings 222...-E1, main
dimensions to DIN 635-2

★ Preferred product

X-life

Technical information



Temperature range

T_{\min}	-30 °C	Operating temperature min.
T_{\max}	200 °C	Operating temperature max.
	17,639 kg	Weight

Main Dimensions & Performance Data

d	150 mm	Bore diameter
D	270 mm	Outside diameter
B	73 mm	Width
C_r	1.010.000 N	Basic dynamic load rating, radial
C_{0r}	1.210.000 N	Basic static load rating, radial
C_{ur}	114.000 N	Fatigue load limit, radial
n_G	2.900 1/min	Limiting speed
n_{gr}	2.050 1/min	Reference speed

Dimensions

r_{\min}	3 mm	Minimum chamfer dimension
D_1	240,8 mm	Bore diameter outer ring
d_2	177,9 mm	Raceway diameter of the inner ring
d_s	8 mm	Diameter lubrication hole
n_s	15 mm	Width of lubricating groove

Mounting dimensions

$d_{a \min}$	164 mm	Minimum diameter shaft shoulder
$D_{a \max}$	256 mm	Maximum diameter of housing shoulder
$r_{a \max}$	2,5 mm	Maximum recess radius

Additional information

e	0,25	Limiting value of Fa/Fr for the applicability of diff. Values of factors X and Y
Y ₁	2,69	Dynamic axial load factor
Y ₂	4	Dynamic axial load factor
Y ₀	2,63	Static axial load factor