



FAG

## ★ 22332-BE-XL

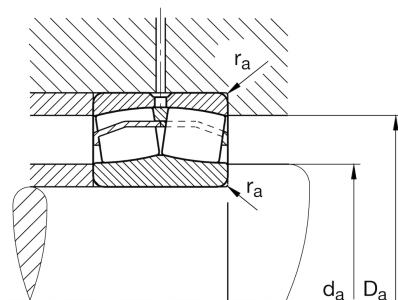
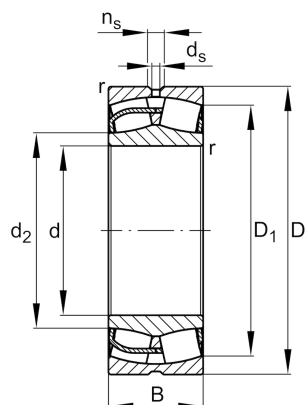
Spherical roller bearing

Schaeffler ID:  
0595970970000Spherical roller bearings 223...-E1, main  
dimensions to DIN 635-2

★ Preferred product

X-life

## Technical information



## Temperature range

$T_{\min}$	-30 °C	Operating temperature min.
$T_{\max}$	200 °C	Operating temperature max.
	48,21 kg	Weight

## Main Dimensions &amp; Performance Data

d	160 mm	Bore diameter
D	340 mm	Outside diameter
B	114 mm	Width
$C_r$	1.680.000 N	Basic dynamic load rating, radial
$C_{0r}$	1.990.000 N	Basic static load rating, radial
$C_{ur}$	162.000 N	Fatigue load limit, radial
$n_G$	2.250 1/min	Limiting speed
$n_{gr}$	1.420 1/min	Reference speed

## Dimensions

$r_{\min}$	4 mm	Minimum chamfer dimension
$D_1$	286,7 mm	Bore diameter outer ring
$d_2$	201,2 mm	Raceway diameter of the inner ring
$d_s$	9,5 mm	Diameter lubrication hole
$n_s$	17,7 mm	Width of lubricating groove

## Mounting dimensions

$d_{a \min}$	177 mm	Minimum diameter shaft shoulder
$D_{a \max}$	323 mm	Maximum diameter of housing shoulder
$r_{a \max}$	3 mm	Maximum recess radius

**Additional information**

e	0,35	Limiting value of Fa/Fr for the applicability of diff. Values of factors X and Y
Y <sub>1</sub>	1,94	Dynamic axial load factor
Y <sub>2</sub>	2,88	Dynamic axial load factor
Y <sub>0</sub>	1,89	Static axial load factor