



FAG

## ★ 22334-BE-XL

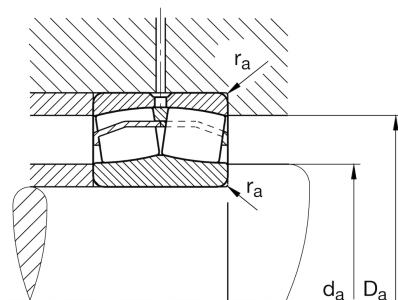
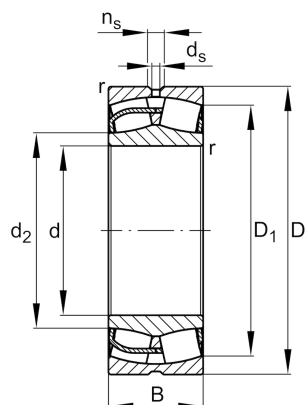
Spherical roller bearing

Schaeffler ID:  
0603753880000Spherical roller bearings 223...-E1, main  
dimensions to DIN 635-2

★ Preferred product

X-life

## Technical information



## Temperature range

$T_{\min}$	-30 °C	Operating temperature min.
------------	--------	----------------------------

$T_{\max}$	200 °C	Operating temperature max.
------------	--------	----------------------------

	56,765 kg	Weight
--	-----------	--------

## Main Dimensions &amp; Performance Data

d	170 mm	Bore diameter
D	360 mm	Outside diameter
B	120 mm	Width
$C_r$	1.870.000 N	Basic dynamic load rating, radial
$C_{0r}$	2.220.000 N	Basic static load rating, radial
$C_{ur}$	178.000 N	Fatigue load limit, radial
$n_G$	2.130 1/min	Limiting speed
$n_{gr}$	1.320 1/min	Reference speed

## Dimensions

$r_{\min}$	4 mm	Minimum chamfer dimension
$D_1$	303,9 mm	Bore diameter outer ring
$d_2$	213,1 mm	Raceway diameter of the inner ring
$d_s$	9,5 mm	Diameter lubrication hole
$n_s$	17,7 mm	Width of lubricating groove

## Mounting dimensions

$d_{a\min}$	187 mm	Minimum diameter shaft shoulder
$D_{a\max}$	343 mm	Maximum diameter of housing shoulder
$r_{a\max}$	3 mm	Maximum recess radius

**Additional information**

e	0,35	Limiting value of Fa/Fr for the applicability of diff. Values of factors X and Y
Y <sub>1</sub>	1,95	Dynamic axial load factor
Y <sub>2</sub>	2,9	Dynamic axial load factor
Y <sub>0</sub>	1,91	Static axial load factor