

FAG

★ 22334-BE-XL-K

Spherical roller bearing

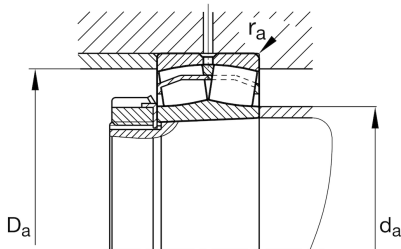
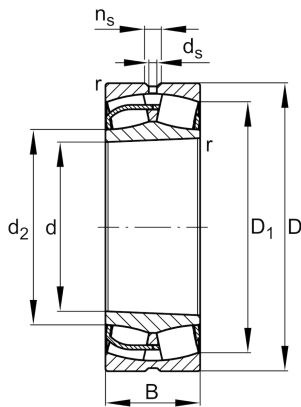
Schaeffler ID:
0617453750000

★ Preferred product

Spherical roller bearings 223...-E1-K, main dimensions to DIN 635-2, with tapered bore, taper 1:12

X-life

Technical information



Temperature range

T_{\min}	-30 °C	Operating temperature min.
------------	--------	----------------------------

T_{\max}	200 °C	Operating temperature max.
------------	--------	----------------------------

	55,545 kg	Weight
--	-----------	--------

Main Dimensions & Performance Data

d	170 mm	Bore diameter
D	360 mm	Outside diameter
B	120 mm	Width
C_r	1.870.000 N	Basic dynamic load rating, radial
C_{0r}	2.220.000 N	Basic static load rating, radial
C_{ur}	178.000 N	Fatigue load limit, radial
n_G	2.130 1/min	Limiting speed
n_{gr}	1.320 1/min	Reference speed

Dimensions

r_{\min}	4 mm	Minimum chamfer dimension
D_1	303,9 mm	Bore diameter outer ring
d_2	213,1 mm	Raceway diameter of the inner ring
d_s	9,5 mm	Diameter lubrication hole
n_s	17,7 mm	Width of lubricating groove

Mounting dimensions

$d_{a \min}$	187 mm	Minimum diameter shaft shoulder
$d_{a \max}$	204 mm	Maximum diameter of shaft shoulder
$D_{a \max}$	343 mm	Maximum diameter of housing shoulder
$r_{a \max}$	3 mm	Maximum recess radius
$d_{b \min}$	185 mm	Minimum cavity diameter of the sleeve
$B_{a \min}$	8 mm	Minimum cavity width of the sleeve

Additional information

	H2334	Adapter sleeve
e	0,35	Limiting value of Fa/Fr for the applicability of diff. Values of factors X and Y
Y ₁	1,95	Dynamic axial load factor
	AH2334G	Withdrawal sleeve
Y ₂	2,9	Dynamic axial load factor
Y ₀	1,91	Static axial load factor