

FAG

★ 22338-BE-XL-K

Spherical roller bearing

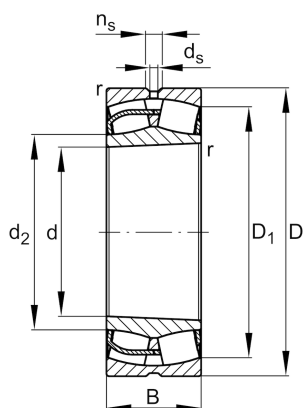
Schaeffler ID:
0604378550000

★ Preferred product

X-life

Spherical roller bearings 223...-E1-K, main dimensions to DIN 635-2, with tapered bore, taper 1:12

Technical information



Temperature range

T_{min}	-30 °C	Operating temperature min.
-----------	--------	----------------------------

T_{max}	200 °C	Operating temperature max.
-----------	--------	----------------------------

	76,135 kg	Weight
--	-----------	--------

Main Dimensions & Performance Data

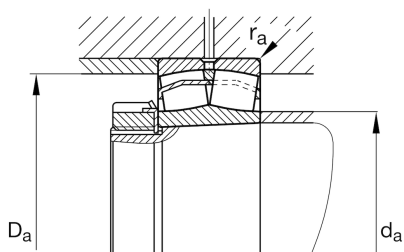
d	190 mm	Bore diameter
D	400 mm	Outside diameter
B	132 mm	Width
C_r	2.220.000 N	Basic dynamic load rating, radial
C_{0r}	2.650.000 N	Basic static load rating, radial
C_{ur}	213.000 N	Fatigue load limit, radial
n_G	1.940 1/min	Limiting speed
n_{gr}	1.160 1/min	Reference speed

Dimensions

r_{min}	5 mm	Minimum chamfer dimension
D_1	338,1 mm	Bore diameter outer ring
d_2	236,8 mm	Raceway diameter of the inner ring
d_s	12,5 mm	Diameter lubrication hole
n_s	23,5 mm	Width of lubricating groove

Mounting dimensions

$d_{a min}$	210 mm	Minimum diameter shaft shoulder
$d_{a max}$	228 mm	Maximum diameter of shaft shoulder
$D_{a max}$	380 mm	Maximum diameter of housing shoulder
$r_{a max}$	4 mm	Maximum recess radius
$d_{b min}$	206 mm	Minimum cavity diameter of the sleeve
$B_{a min}$	9 mm	Minimum cavity width of the sleeve



Additional information

	H2338	Adapter sleeve
e	0,34	Limiting value of Fa/Fr for the applicability of diff. Values of factors X and Y
Y ₁	1,96	Dynamic axial load factor
	AH2338G	Withdrawal sleeve
Y ₂	2,92	Dynamic axial load factor
Y ₀	1,92	Static axial load factor