

FAG

★ 22328-E1-XL

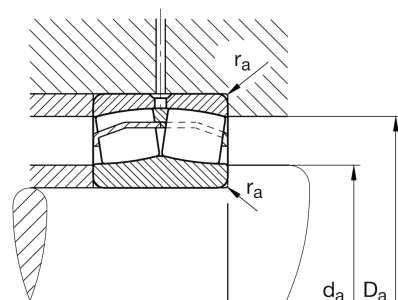
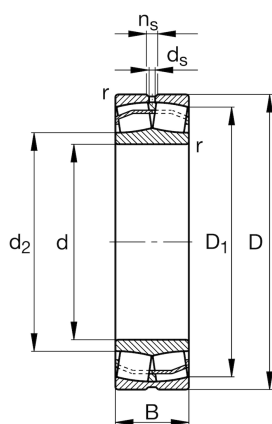
Spherical roller bearing

Schaeffler ID:
0190009280000Spherical roller bearings 223...-E1, main
dimensions to DIN 635-2

★ Preferred product

X-life

Technical information



Temperature range

T_{min}	-30 °C	Operating temperature min.
T_{max}	200 °C	Operating temperature max.
	31,209 kg	Weight

Main Dimensions & Performance Data

d	140 mm	Bore diameter
D	300 mm	Outside diameter
B	102 mm	Width
C_r	1.460.000 N	Basic dynamic load rating, radial
C_{0r}	1.630.000 N	Basic static load rating, radial
C_{ur}	135.000 N	Fatigue load limit, radial
n_G	2.420 1/min	Limiting speed
n_{gr}	1.660 1/min	Reference speed

Dimensions

r_{min}	4 mm	Minimum chamfer dimension
D_1	255,7 mm	Bore diameter outer ring
d_2	173,5 mm	Raceway diameter of the inner ring
d_s	9,5 mm	Diameter lubrication hole
n_s	17,7 mm	Width of lubricating groove

Mounting dimensions

$d_{a min}$	157 mm	Minimum diameter shaft shoulder
$D_{a max}$	283 mm	Maximum diameter of housing shoulder
$r_{a max}$	3 mm	Maximum recess radius

Additional information

e	0,34	Limiting value of Fa/Fr for the applicability of diff. Values of factors X and Y
Y ₁	2	Dynamic axial load factor
Y ₂	2,98	Dynamic axial load factor
Y ₀	1,96	Static axial load factor