

FAG

★ 23044-BE-XL-K

Spherical roller bearing

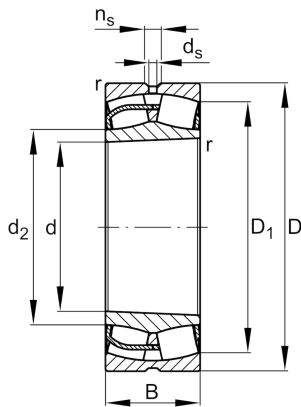
Schaeffler ID:
0617172310000

★ Preferred product

X-life

Spherical roller bearings 230...-E1-K, main dimensions to DIN 635-2, with tapered bore, taper 1:12

Technical information



Temperature range

T_{min}	-30 °C	Operating temperature min.
-----------	--------	----------------------------

T_{max}	200 °C	Operating temperature max.
-----------	--------	----------------------------

	28,385 kg	Weight
--	-----------	--------

Main Dimensions & Performance Data

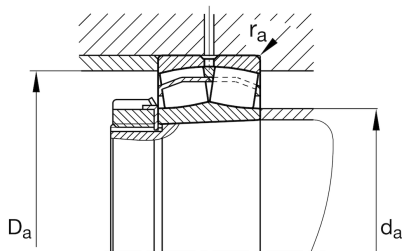
d	220 mm	Bore diameter
D	340 mm	Outside diameter
B	90 mm	Width
C_r	1.260.000 N	Basic dynamic load rating, radial
C_{0r}	1.900.000 N	Basic static load rating, radial
C_{ur}	182.000 N	Fatigue load limit, radial
n_G	2.230 1/min	Limiting speed
n_{gr}	1.450 1/min	Reference speed

Dimensions

r_{min}	3 mm	Minimum chamfer dimension
D_1	304,5 mm	Bore diameter outer ring
d_2	248,8 mm	Raceway diameter of the inner ring
d_s	8 mm	Diameter lubrication hole
n_s	15 mm	Width of lubricating groove

Mounting dimensions

$d_{a min}$	232,4 mm	Minimum diameter shaft shoulder
$d_{a max}$	247 mm	Maximum diameter of shaft shoulder
$D_{a max}$	327,6 mm	Maximum diameter of housing shoulder
$r_{a max}$	2,5 mm	Maximum recess radius
$d_{b min}$	231 mm	Minimum cavity diameter of the sleeve
$B_{a min}$	12 mm	Minimum cavity width of the sleeve



Additional information

	H3044X	Adapter sleeve
e	0,24	Limiting value of Fa/Fr for the applicability of diff. Values of factors X and Y
Y ₁	2,81	Dynamic axial load factor
	AH3044G	Withdrawal sleeve
Y ₂	4,19	Dynamic axial load factor
Y ₀	2,75	Static axial load factor