

FAG

## ★ 23052-BE-XL-K

Spherical roller bearing

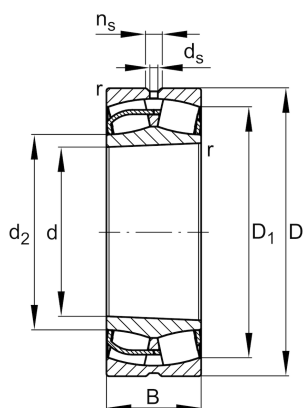
Schaeffler ID:  
0614931550000

★ Preferred product

X-life

Spherical roller bearings 230...-E1-K, main dimensions to DIN 635-2, with tapered bore, taper 1:12

## Technical information



## Temperature range

$T_{\min}$	-30 °C	Operating temperature min.
------------	--------	----------------------------

$T_{\max}$	200 °C	Operating temperature max.
------------	--------	----------------------------

45,25 kg	Weight
----------	--------

## Main Dimensions &amp; Performance Data

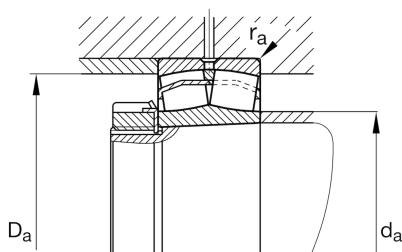
d	260 mm	Bore diameter
D	400 mm	Outside diameter
B	104 mm	Width
$C_r$	1.670.000 N	Basic dynamic load rating, radial
$C_{0r}$	2.600.000 N	Basic static load rating, radial
$C_{ur}$	239.000 N	Fatigue load limit, radial
$n_G$	1.850 1/min	Limiting speed
$n_{gr}$	1.170 1/min	Reference speed

## Dimensions

$r_{\min}$	4 mm	Minimum chamfer dimension
$D_1$	358,7 mm	Bore diameter outer ring
$d_2$	295,5 mm	Raceway diameter of the inner ring
$d_s$	9,5 mm	Diameter lubrication hole
$n_s$	17,7 mm	Width of lubricating groove

## Mounting dimensions

$d_{a \min}$	274,6 mm	Minimum diameter shaft shoulder
$d_{a \max}$	291 mm	Maximum diameter of shaft shoulder
$D_{a \max}$	385,4 mm	Maximum diameter of housing shoulder
$r_{a \max}$	3 mm	Maximum recess radius
$d_{b \min}$	272 mm	Minimum cavity diameter of the sleeve
$B_{a \min}$	13 mm	Minimum cavity width of the sleeve



**Additional information**

	H3052X	Adapter sleeve
e	0,23	Limiting value of Fa/Fr for the applicability of diff. Values of factors X and Y
Y <sub>1</sub>	2,9	Dynamic axial load factor
	AH3052	Withdrawal sleeve
Y <sub>2</sub>	4,31	Dynamic axial load factor
Y <sub>0</sub>	2,83	Static axial load factor