

FAG

★ 23026-E1-XL-TVPB

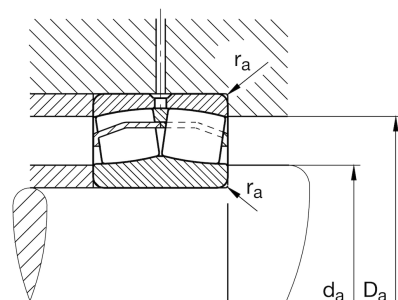
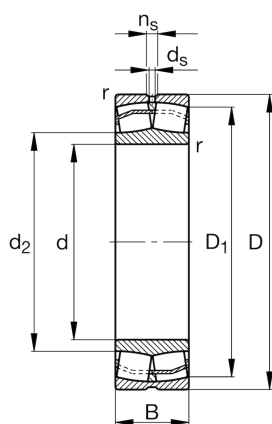
Spherical roller bearing

Schaeffler ID:
0190010450000Spherical roller bearings 230...-E1, main
dimensions to DIN 635-2

★ Preferred product

X-life

Technical information



Temperature range

T_{\min}	-30 °C	Operating temperature min.
T_{\max}	120 °C	Operating temperature max.
	5,562 kg	Weight

Main Dimensions & Performance Data

d	130 mm	Bore diameter
D	200 mm	Outside diameter
B	52 mm	Width
C_r	540.000 N	Basic dynamic load rating, radial
C_{0r}	730.000 N	Basic static load rating, radial
C_{ur}	71.000 N	Fatigue load limit, radial
n_G	3.600 1/min	Limiting speed
n_{gr}	2.600 1/min	Reference speed

Dimensions

r_{\min}	2 mm	Minimum chamfer dimension
D_1	182,3 mm	Bore diameter outer ring
d_2	145,9 mm	Raceway diameter of the inner ring
d_s	4,8 mm	Diameter lubrication hole
n_s	9,5 mm	Width of lubricating groove

Mounting dimensions

$d_{a\min}$	138,8 mm	Minimum diameter shaft shoulder
$D_{a\max}$	191,2 mm	Maximum diameter of housing shoulder
$r_{a\max}$	2 mm	Maximum recess radius

Additional information

e	0,23	Limiting value of Fa/Fr for the applicability of diff. Values of factors X and Y
Y ₁	2,95	Dynamic axial load factor
Y ₂	4,4	Dynamic axial load factor
Y ₀	2,89	Static axial load factor