



FAG

★ 23028-E1-XL-TVPB

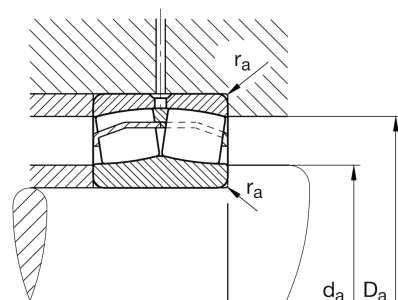
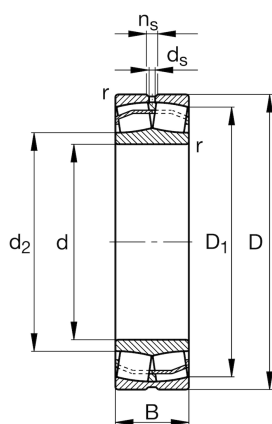
Spherical roller bearing

Schaeffler ID:
0190010700000Spherical roller bearings 230...-E1, main
dimensions to DIN 635-2

★ Preferred product

X-life

Technical information



Temperature range

T_{min}	-30 °C	Operating temperature min.
T_{max}	120 °C	Operating temperature max.
	6,001 kg	Weight

Main Dimensions & Performance Data

d	140 mm	Bore diameter
D	210 mm	Outside diameter
B	53 mm	Width
C_r	570.000 N	Basic dynamic load rating, radial
C_{0r}	800.000 N	Basic static load rating, radial
C_{ur}	77.000 N	Fatigue load limit, radial
n_G	3.450 1/min	Limiting speed
n_{gr}	2.390 1/min	Reference speed

Dimensions

r_{min}	2 mm	Minimum chamfer dimension
D_1	192,3 mm	Bore diameter outer ring
d_2	155,4 mm	Raceway diameter of the inner ring
d_s	4,8 mm	Diameter lubrication hole
n_s	9,5 mm	Width of lubricating groove

Mounting dimensions

$d_{a min}$	148,8 mm	Minimum diameter shaft shoulder
$D_{a max}$	201,2 mm	Maximum diameter of housing shoulder
$r_{a max}$	2 mm	Maximum recess radius

Additional information

e	0,22	Limiting value of Fa/Fr for the applicability of diff. Values of factors X and Y
Y ₁	3,07	Dynamic axial load factor
Y ₂	4,57	Dynamic axial load factor
Y ₀	3	Static axial load factor