

FAG

★ 23038-E1-XL-TVPB

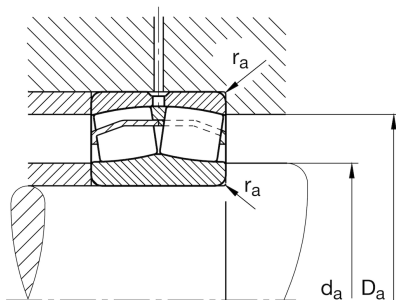
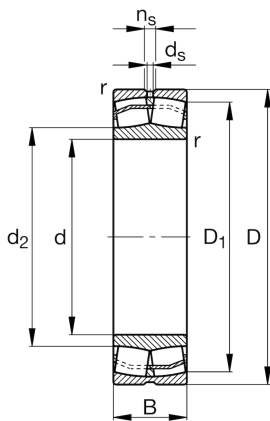
Spherical roller bearing

Schaeffler ID:
0190011930000Spherical roller bearings 230...-E1, main
dimensions to DIN 635-2

★ Preferred product

X-life

Technical information



Temperature range

T_{min}	-30 °C	Operating temperature min.
T_{max}	120 °C	Operating temperature max.
	16,64 kg	Weight

Main Dimensions & Performance Data

d	190 mm	Bore diameter
D	290 mm	Outside diameter
B	75 mm	Width
C_r	1.080.000 N	Basic dynamic load rating, radial
C_{0r}	1.550.000 N	Basic static load rating, radial
C_{ur}	183.000 N	Fatigue load limit, radial
n_G	2.490 1/min	Limiting speed
n_{gr}	1.660 1/min	Reference speed

Dimensions

r_{min}	2,1 mm	Minimum chamfer dimension
D_1	264,5 mm	Bore diameter outer ring
d_2	211,9 mm	Raceway diameter of the inner ring
d_s	8 mm	Diameter lubrication hole
n_s	15 mm	Width of lubricating groove

Mounting dimensions

$d_{a min}$	200,2 mm	Minimum diameter shaft shoulder
$D_{a max}$	279,8 mm	Maximum diameter of housing shoulder
$r_{a max}$	2,1 mm	Maximum recess radius

Additional information

e	0,23	Limiting value of Fa/Fr for the applicability of diff. Values of factors X and Y
Y ₁	2,98	Dynamic axial load factor
Y ₂	4,44	Dynamic axial load factor
Y ₀	2,92	Static axial load factor