

FAG

★ 23128-E1-XL-TVPB

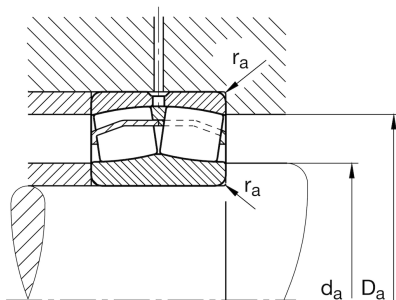
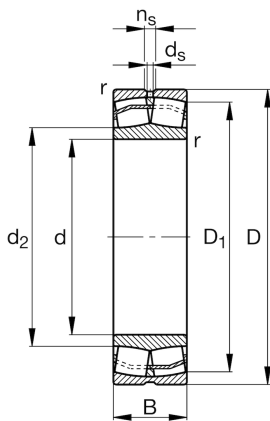
Spherical roller bearing

Schaeffler ID:
0190312200000Spherical roller bearings 231...-E1, main
dimensions to DIN 635-2

★ Preferred product

X-life

Technical information



Temperature range

T_{\min}	-30 °C	Operating temperature min.
T_{\max}	120 °C	Operating temperature max.
	9,713 kg	Weight

Main Dimensions & Performance Data

d	140 mm	Bore diameter
D	225 mm	Outside diameter
B	68 mm	Width
C_r	760.000 N	Basic dynamic load rating, radial
C_{0r}	1.010.000 N	Basic static load rating, radial
C_{ur}	90.000 N	Fatigue load limit, radial
n_G	3.000 1/min	Limiting speed
n_{gr}	1.930 1/min	Reference speed

Dimensions

r_{\min}	2,1 mm	Minimum chamfer dimension
D_1	201 mm	Bore diameter outer ring
d_2	157,1 mm	Raceway diameter of the inner ring
d_s	4,8 mm	Diameter lubrication hole
n_s	9,5 mm	Width of lubricating groove

Mounting dimensions

$d_{a\min}$	152 mm	Minimum diameter shaft shoulder
$D_{a\max}$	213 mm	Maximum diameter of housing shoulder
$r_{a\max}$	2,1 mm	Maximum recess radius

Additional information

e	0,27	Limiting value of Fa/Fr for the applicability of diff. Values of factors X and Y
Y ₁	2,49	Dynamic axial load factor
Y ₂	3,71	Dynamic axial load factor
Y ₀	2,43	Static axial load factor