

FAG

★ 23128-E1A-XL-M

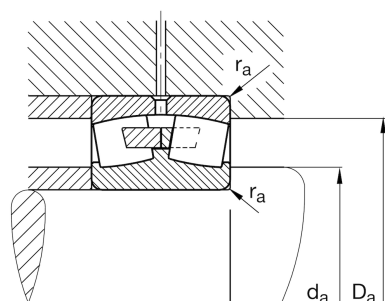
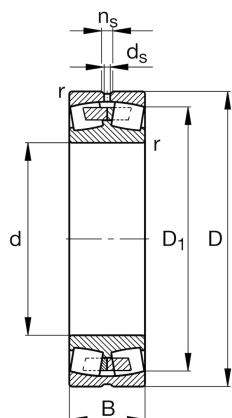
Spherical roller bearing

Schaeffler ID:
0190311220000Spherical roller bearings 231...-E1A, main
dimensions to DIN 635-2

★ Preferred product

X-life

Technical information



Temperature range

T_{min}	-30 °C	Operating temperature min.
T_{max}	200 °C	Operating temperature max.
	10,236 kg	Weight

Main Dimensions & Performance Data

d	140 mm	Bore diameter
D	225 mm	Outside diameter
B	68 mm	Width
C_r	760.000 N	Basic dynamic load rating, radial
C_{0r}	1.010.000 N	Basic static load rating, radial
C_{ur}	90.000 N	Fatigue load limit, radial
n_G	3.000 1/min	Limiting speed
n_{gr}	1.930 1/min	Reference speed

Dimensions

r_{min}	2,1 mm	Minimum chamfer dimension
d_s	4,8 mm	Diameter lubrication hole
n_s	9,5 mm	Width of lubricating groove

Mounting dimensions

$d_{a min}$	152 mm	Minimum diameter shaft shoulder
$D_{a max}$	213 mm	Maximum diameter of housing shoulder
$r_{a max}$	2,1 mm	Maximum recess radius

Additional information

e	0,27	Limiting value of F_a/F_r for the applicability of diff. Values of factors X and Y
Y_1	2,49	Dynamic axial load factor
Y_2	3,71	Dynamic axial load factor
Y_0	2,43	Static axial load factor