

FAG

## ★ 23130-E1A-XL-M

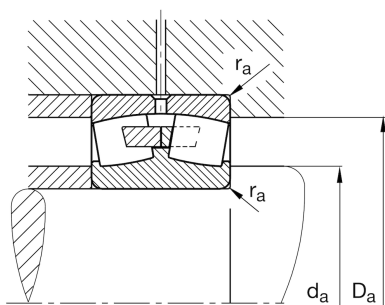
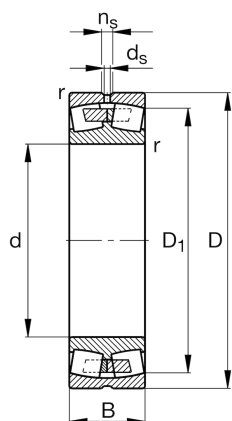
Spherical roller bearing

Schaeffler ID:  
0190013470000Spherical roller bearings 231...-E1A, main  
dimensions to DIN 635-2

★ Preferred product

X-life

## Technical information



## Temperature range

$T_{min}$	-30 °C	Operating temperature min.
$T_{max}$	200 °C	Operating temperature max.
	15,7 kg	Weight

## Main Dimensions &amp; Performance Data

d	150 mm	Bore diameter
D	250 mm	Outside diameter
B	80 mm	Width
$C_r$	1.000.000 N	Basic dynamic load rating, radial
$C_{0r}$	1.330.000 N	Basic static load rating, radial
$C_{ur}$	145.000 N	Fatigue load limit, radial
$n_G$	2.650 1/min	Limiting speed
$n_{gr}$	1.720 1/min	Reference speed

## Dimensions

$r_{min}$	2,1 mm	Minimum chamfer dimension
$D_1$	220,8 mm	Bore diameter outer ring
$d_s$	6,3 mm	Diameter lubrication hole
$n_s$	12,2 mm	Width of lubricating groove

## Mounting dimensions

$d_{a min}$	162 mm	Minimum diameter shaft shoulder
$D_{a max}$	238 mm	Maximum diameter of housing shoulder
$r_{a max}$	2,1 mm	Maximum recess radius

**Additional information**

e	0,29	Limiting value of Fa/Fr for the applicability of diff. Values of factors X and Y
Y <sub>1</sub>	2,32	Dynamic axial load factor
Y <sub>2</sub>	3,45	Dynamic axial load factor
Y <sub>0</sub>	2,26	Static axial load factor