



FAG

★ 23136-E1A-XL-M

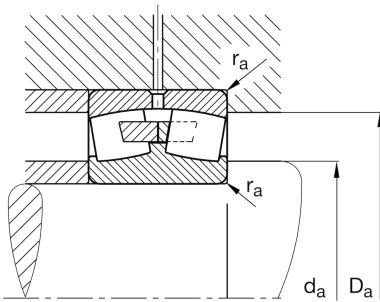
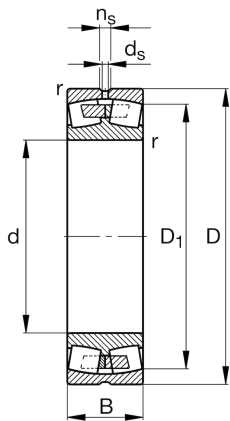
Spherical roller bearing

Schaeffler ID:
0190319390000Spherical roller bearings 231...-E1A, main
dimensions to DIN 635-2

★ Preferred product

X-life

Technical information



Temperature range

T_{\min}	-30 °C	Operating temperature min.
T_{\max}	200 °C	Operating temperature max.
	26,919 kg	Weight

Main Dimensions & Performance Data

d	180 mm	Bore diameter
D	300 mm	Outside diameter
B	96 mm	Width
C_r	1.420.000 N	Basic dynamic load rating, radial
C_{0r}	1.950.000 N	Basic static load rating, radial
C_{ur}	199.000 N	Fatigue load limit, radial
n_G	2.230 1/min	Limiting speed
n_{gr}	1.350 1/min	Reference speed

Dimensions

r_{\min}	3 mm	Minimum chamfer dimension
D_1	264,8 mm	Bore diameter outer ring
d_s	8 mm	Diameter lubrication hole
n_s	15 mm	Width of lubricating groove

Mounting dimensions

$d_{a\min}$	194 mm	Minimum diameter shaft shoulder
$D_{a\max}$	286 mm	Maximum diameter of housing shoulder
$r_{a\max}$	2,5 mm	Maximum recess radius

Additional information

e	0,29	Limiting value of Fa/Fr for the applicability of diff. Values of factors X and Y
Y ₁	2,32	Dynamic axial load factor
Y ₂	3,45	Dynamic axial load factor
Y ₀	2,26	Static axial load factor