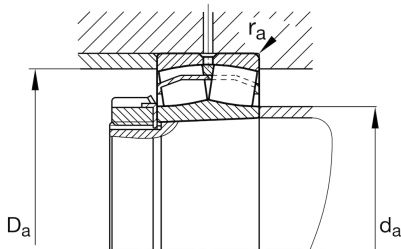
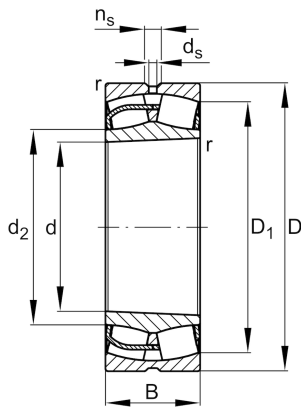


## Technical information



### Temperature range

$T_{min}$	-30 °C	Operating temperature min.
$T_{max}$	200 °C	Operating temperature max.
	54 kg	Weight

### Main Dimensions & Performance Data

$d$	200 mm	Bore diameter
$D$	360 mm	Outside diameter
$B$	128 mm	Width
$C_r$	1.940.000 N	Basic dynamic load rating, radial
$C_{0r}$	2.700.000 N	Basic static load rating, radial
$C_{ur}$	226.000 N	Fatigue load limit, radial
$n_G$	1.870 1/min	Limiting speed
$n_{gr}$	1.000 1/min	Reference speed

### Dimensions

$r_{min}$	4 mm	Minimum chamfer dimension
$D_1$	305,3 mm	Bore diameter outer ring
$d_2$	235 mm	Raceway diameter of the inner ring
$d_s$	9,5 mm	Diameter lubrication hole
$n_s$	17,7 mm	Width of lubricating groove

### Mounting dimensions

$d_{a min}$	217 mm	Minimum diameter shaft shoulder
$d_{a max}$	237 mm	Maximum diameter of shaft shoulder
$D_{a max}$	343 mm	Maximum diameter of housing shoulder
$r_{a max}$	3 mm	Maximum recess radius
$d_{b min}$	216 mm	Minimum cavity diameter of the sleeve
$B_{a min}$	20 mm	Minimum cavity width of the sleeve

**Additional information**

	H2340	Adapter sleeve
e	0,35	Limiting value of Fa/Fr for the applicability of diff. Values of factors X and Y
Y <sub>1</sub>	1,95	Dynamic axial load factor
	AH3240	Withdrawal sleeve
Y <sub>2</sub>	2,9	Dynamic axial load factor
Y <sub>0</sub>	1,91	Static axial load factor