

FAG

★ 23224-E1-XL-TVPB

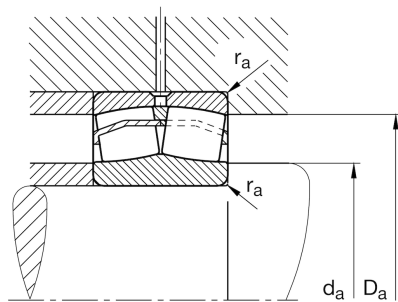
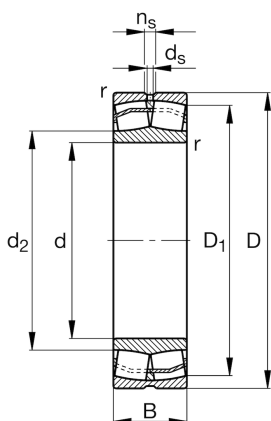
Spherical roller bearing

Schaeffler ID:
0190016060000Spherical roller bearings 232...-E1, main
dimensions to DIN 635-2

★ Preferred product

X-life

Technical information



Temperature range

T_{\min}	-30 °C	Operating temperature min.
T_{\max}	120 °C	Operating temperature max.
	11,179 kg	Weight

Main Dimensions & Performance Data

d	120 mm	Bore diameter
D	215 mm	Outside diameter
B	76 mm	Width
C_r	820.000 N	Basic dynamic load rating, radial
C_{0r}	1.020.000 N	Basic static load rating, radial
C_{ur}	82.000 N	Fatigue load limit, radial
n_G	3.000 1/min	Limiting speed
n_{gr}	1.910 1/min	Reference speed

Dimensions

r_{\min}	2,1 mm	Minimum chamfer dimension
D_1	185,5 mm	Bore diameter outer ring
d_2	139 mm	Raceway diameter of the inner ring
d_s	4,8 mm	Diameter lubrication hole
n_s	9,5 mm	Width of lubricating groove

Mounting dimensions

$d_{a \min}$	132 mm	Minimum diameter shaft shoulder
$D_{a \max}$	203 mm	Maximum diameter of housing shoulder
$r_{a \max}$	2,1 mm	Maximum recess radius

Additional information

e	0,33	Limiting value of Fa/Fr for the applicability of diff. Values of factors X and Y
Y ₁	2,03	Dynamic axial load factor
Y ₂	3,02	Dynamic axial load factor
Y ₀	1,98	Static axial load factor