

FAG

## ★ 23228-E1-XL-TVPB

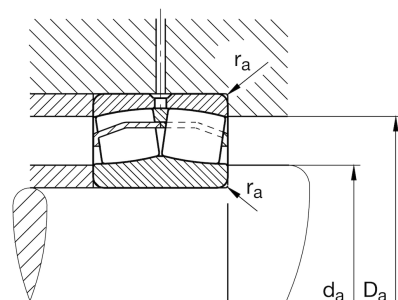
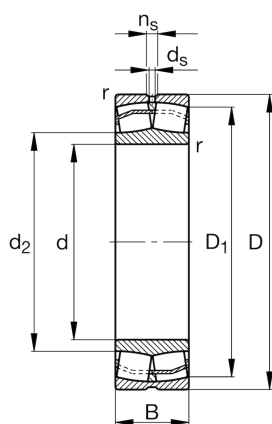
Spherical roller bearing

Schaeffler ID:  
0190360430000Spherical roller bearings 232...-E1, main  
dimensions to DIN 635-2

★ Preferred product

X-life

## Technical information



## Temperature range

$T_{\min}$	-30 °C	Operating temperature min.
$T_{\max}$	120 °C	Operating temperature max.
	17,539 kg	Weight

## Main Dimensions &amp; Performance Data

d	140 mm	Bore diameter
D	250 mm	Outside diameter
B	88 mm	Width
$C_r$	1.090.000 N	Basic dynamic load rating, radial
$C_{0r}$	1.400.000 N	Basic static load rating, radial
$C_{ur}$	116.000 N	Fatigue load limit, radial
$n_G$	2.600 1/min	Limiting speed
$n_{gr}$	1.550 1/min	Reference speed

## Dimensions

$r_{\min}$	3 mm	Minimum chamfer dimension
$D_1$	216 mm	Bore diameter outer ring
$d_2$	162 mm	Raceway diameter of the inner ring
$d_s$	6,3 mm	Diameter lubrication hole
$n_s$	12,2 mm	Width of lubricating groove

## Mounting dimensions

$d_{a\min}$	154 mm	Minimum diameter shaft shoulder
$D_{a\max}$	236 mm	Maximum diameter of housing shoulder
$r_{a\max}$	2,5 mm	Maximum recess radius

**Additional information**

e	0,33	Limiting value of Fa/Fr for the applicability of diff. Values of factors X and Y
Y <sub>1</sub>	2,04	Dynamic axial load factor
Y <sub>2</sub>	3,04	Dynamic axial load factor
Y <sub>0</sub>	2	Static axial load factor