

FAG

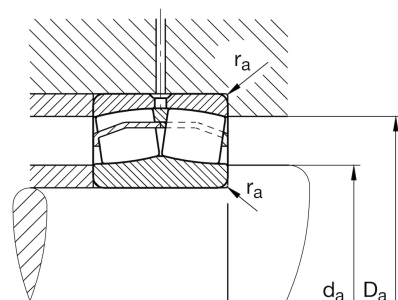
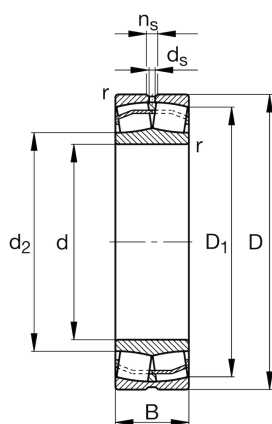
23230-E1-XL-TVPB

Spherical roller bearing

Schaeffler ID:
0190362050000Spherical roller bearings 232...-E1, main
dimensions to DIN 635-2

X-life

Technical information

**Temperature range**

T_{\min}	-30 °C	Operating temperature min.
T_{\max}	120 °C	Operating temperature max.
	22,536 kg	Weight

Main Dimensions & Performance Data

d	150 mm	Bore diameter
D	270 mm	Outside diameter
B	96 mm	Width
C_r	1.280.000 N	Basic dynamic load rating, radial
C_{0r}	1.660.000 N	Basic static load rating, radial
C_{ur}	133.000 N	Fatigue load limit, radial
n_G	2.400 1/min	Limiting speed
n_{gr}	1.400 1/min	Reference speed

Dimensions

r_{\min}	3 mm	Minimum chamfer dimension
D_1	232,6 mm	Bore diameter outer ring
d_2	174 mm	Raceway diameter of the inner ring
d_s	6,3 mm	Diameter lubrication hole
n_s	12,2 mm	Width of lubricating groove

Mounting dimensions

$d_{a\min}$	164 mm	Minimum diameter shaft shoulder
$D_{a\max}$	256 mm	Maximum diameter of housing shoulder
$r_{a\max}$	2,5 mm	Maximum recess radius

Additional information

e	0,33	Limiting value of Fa/Fr for the applicability of diff. Values of factors X and Y
Y ₁	2,02	Dynamic axial load factor
Y ₂	3	Dynamic axial load factor
Y ₀	1,97	Static axial load factor