



FAG

★ 23232-E1-XL-TVPB

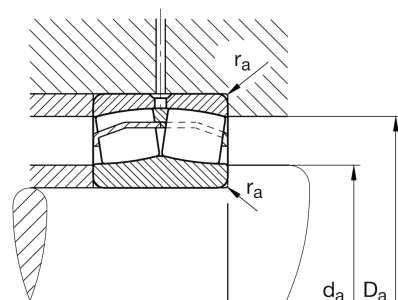
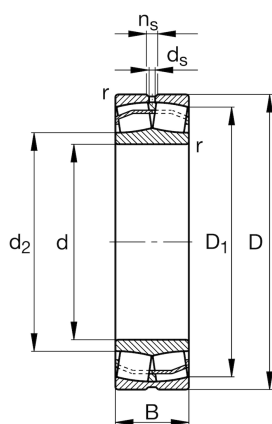
Spherical roller bearing

Schaeffler ID:
0190363610000Spherical roller bearings 232...-E1, main
dimensions to DIN 635-2

★ Preferred product

X-life

Technical information



Temperature range

T_{\min}	-30 °C	Operating temperature min.
T_{\max}	120 °C	Operating temperature max.
	28,404 kg	Weight

Main Dimensions & Performance Data

d	160 mm	Bore diameter
D	290 mm	Outside diameter
B	104 mm	Width
C_r	1.460.000 N	Basic dynamic load rating, radial
C_{0r}	1.910.000 N	Basic static load rating, radial
C_{ur}	150.000 N	Fatigue load limit, radial
n_G	2.210 1/min	Limiting speed
n_{gr}	1.280 1/min	Reference speed

Dimensions

r_{\min}	3 mm	Minimum chamfer dimension
D_1	249,3 mm	Bore diameter outer ring
d_2	186,7 mm	Raceway diameter of the inner ring
d_s	8 mm	Diameter lubrication hole
n_s	15 mm	Width of lubricating groove

Mounting dimensions

$d_{a\min}$	174 mm	Minimum diameter shaft shoulder
$D_{a\max}$	276 mm	Maximum diameter of housing shoulder
$r_{a\max}$	2,5 mm	Maximum recess radius

Additional information

e	0,34	Limiting value of Fa/Fr for the applicability of diff. Values of factors X and Y
Y ₁	2	Dynamic axial load factor
Y ₂	2,98	Dynamic axial load factor
Y ₀	1,96	Static axial load factor