

FAG

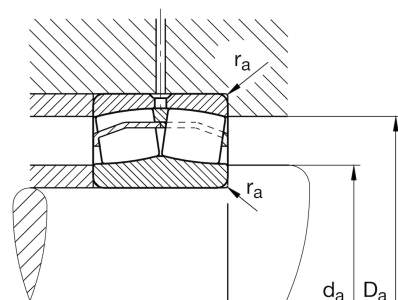
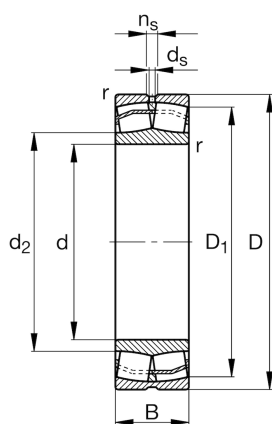
**23234-E1-XL-TVPB**

Spherical roller bearing

Schaeffler ID:  
0190365230000Spherical roller bearings 232...-E1, main  
dimensions to DIN 635-2

X-life

## Technical information

**Temperature range**

$T_{min}$	-30 °C	Operating temperature min.
$T_{max}$	120 °C	Operating temperature max.
	34,522 kg	Weight

**Main Dimensions & Performance Data**

d	170 mm	Bore diameter
D	310 mm	Outside diameter
B	110 mm	Width
$C_r$	1.640.000 N	Basic dynamic load rating, radial
$C_{0r}$	2.170.000 N	Basic static load rating, radial
$C_{ur}$	168.000 N	Fatigue load limit, radial
$n_G$	2.090 1/min	Limiting speed
$n_{gr}$	1.160 1/min	Reference speed

**Dimensions**

$r_{min}$	4 mm	Minimum chamfer dimension
$D_1$	267,4 mm	Bore diameter outer ring
$d_2$	199,8 mm	Raceway diameter of the inner ring
$d_s$	8 mm	Diameter lubrication hole
$n_s$	15 mm	Width of lubricating groove

**Mounting dimensions**

$d_{a min}$	187 mm	Minimum diameter shaft shoulder
$D_{a max}$	293 mm	Maximum diameter of housing shoulder
$r_{a max}$	3 mm	Maximum recess radius

**Additional information**

e	0,33	Limiting value of Fa/Fr for the applicability of diff. Values of factors X and Y
Y <sub>1</sub>	2,03	Dynamic axial load factor
Y <sub>2</sub>	3,02	Dynamic axial load factor
Y <sub>0</sub>	1,98	Static axial load factor