

FAG

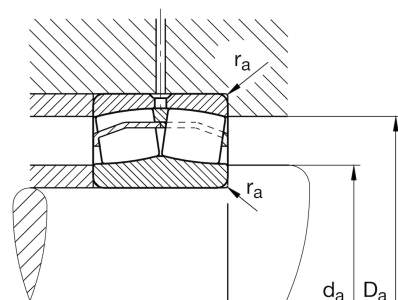
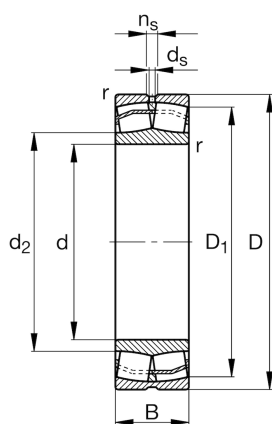
23236-E1-XL-TVPB

Spherical roller bearing

Schaeffler ID:
0190367100000Spherical roller bearings 232...-E1, main
dimensions to DIN 635-2

X-life

Technical information

**Temperature range**

T_{min}	-30 °C	Operating temperature min.
T_{max}	120 °C	Operating temperature max.
	36,349 kg	Weight

Main Dimensions & Performance Data

d	180 mm	Bore diameter
D	320 mm	Outside diameter
B	112 mm	Width
C_r	1.720.000 N	Basic dynamic load rating, radial
C_{0r}	2.340.000 N	Basic static load rating, radial
C_{ur}	178.000 N	Fatigue load limit, radial
n_G	2.010 1/min	Limiting speed
n_{gr}	1.090 1/min	Reference speed

Dimensions

r_{min}	4 mm	Minimum chamfer dimension
D_1	277,3 mm	Bore diameter outer ring
d_2	210,6 mm	Raceway diameter of the inner ring
d_s	8 mm	Diameter lubrication hole
n_s	15 mm	Width of lubricating groove

Mounting dimensions

$d_{a min}$	197 mm	Minimum diameter shaft shoulder
$D_{a max}$	303 mm	Maximum diameter of housing shoulder
$r_{a max}$	3 mm	Maximum recess radius

Additional information

e	0,33	Limiting value of Fa/Fr for the applicability of diff. Values of factors X and Y
Y ₁	2,07	Dynamic axial load factor
Y ₂	3,09	Dynamic axial load factor
Y ₀	2,03	Static axial load factor