

FAG

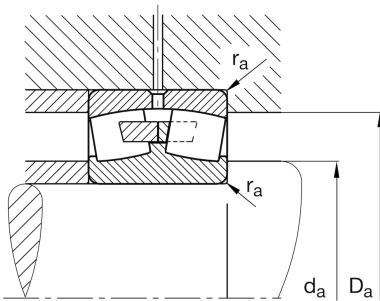
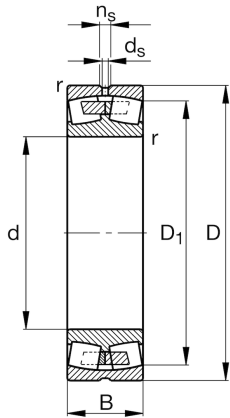
## ★ 23940-S-MB

## Spherical roller bearing

Schaeffler ID:  
0190417130000Spherical roller bearings 239, main  
dimensions to DIN 635-2

★ Preferred product

## Technical information



## Temperature range

$T_{\min}$	-30 °C	Operating temperature min.
$T_{\max}$	200 °C	Operating temperature max.
	11,39 kg	Weight

## Main Dimensions &amp; Performance Data

d	200 mm	Bore diameter
D	280 mm	Outside diameter
B	60 mm	Width
$C_r$	550.000 N	Basic dynamic load rating, radial
$C_{0r}$	1.070.000 N	Basic static load rating, radial
$C_{ur}$	73.000 N	Fatigue load limit, radial
$n_G$	2.800 1/min	Limiting speed
$n_{gr}$	1.650 1/min	Reference speed

## Dimensions

$r_{\min}$	2,1 mm	Minimum chamfer dimension
$D_1$	256,9 mm	Bore diameter outer ring
$d_s$	6,3 mm	Diameter lubrication hole
$n_s$	12,2 mm	Width of lubricating groove

## Mounting dimensions

$d_{a\min}$	210,2 mm	Minimum diameter shaft shoulder
$D_{a\max}$	269,8 mm	Maximum diameter of housing shoulder
$r_{a\max}$	2,1 mm	Maximum recess radius

## Additional information

e	0,2	Limiting value of $F_a/F_r$ for the applicability of diff. Values of factors X and Y
$Y_1$	3,42	Dynamic axial load factor
$Y_2$	5,09	Dynamic axial load factor
$Y_0$	3,34	Static axial load factor