

FAG

★ 24024-BE-XL

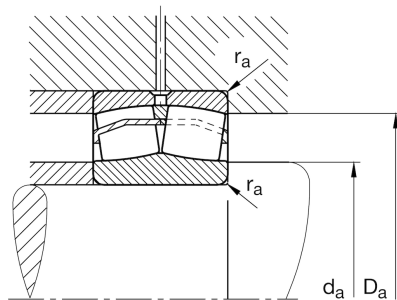
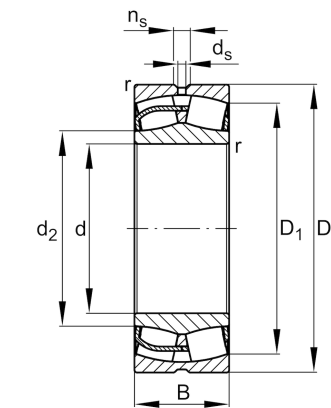
Spherical roller bearing

Schaeffler ID:
0571259880000Spherical roller bearing 240..-BE-XL,
symmetric with rib washer

★ Preferred product

X-life

Technical information



Temperature range

T_{min}	-30 °C	Operating temperature min.
T_{max}	200 °C	Operating temperature max.
	5,256 kg	Weight

Main Dimensions & Performance Data

d	120 mm	Bore diameter
D	180 mm	Outside diameter
B	60 mm	Width
C_r	450.000 N	Basic dynamic load rating, radial
C_{0r}	690.000 N	Basic static load rating, radial
C_{ur}	86.000 N	Fatigue load limit, radial
n_G	3.450 1/min	Limiting speed
n_{gr}	2.360 1/min	Reference speed

Dimensions

r_{min}	2 mm	Minimum chamfer dimension
D_1	159,8 mm	Bore diameter outer ring
d_2	134,5 mm	Raceway diameter of the inner ring
d_s	3,2 mm	Diameter lubrication hole
n_s	6,5 mm	Width of lubricating groove

Mounting dimensions

$d_{a min}$	128,8 mm	Minimum diameter shaft shoulder
$D_{a max}$	171,2 mm	Maximum diameter of housing shoulder
$r_{a max}$	2 mm	Maximum recess radius

Additional information

e	0,29	Limiting value of Fa/Fr for the applicability of diff. Values of factors X and Y
Y ₁	2,33	Dynamic axial load factor
Y ₂	3,47	Dynamic axial load factor
Y ₀	2,28	Static axial load factor