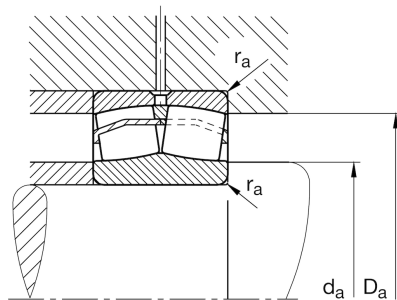
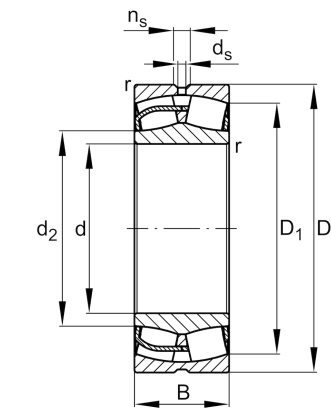


Technical information



Temperature range

T_{\min}	-30 °C	Operating temperature min.
T_{\max}	200 °C	Operating temperature max.
	7,769 kg	Weight

Main Dimensions & Performance Data

d	130 mm	Bore diameter
D	200 mm	Outside diameter
B	69 mm	Width
C_r	570.000 N	Basic dynamic load rating, radial
C_{0r}	860.000 N	Basic static load rating, radial
C_{ur}	103.000 N	Fatigue load limit, radial
n_G	3.100 1/min	Limiting speed
n_{gr}	2.130 1/min	Reference speed

Dimensions

r_{\min}	2 mm	Minimum chamfer dimension
D_1	176,1 mm	Bore diameter outer ring
d_2	146,2 mm	Raceway diameter of the inner ring
d_s	3,2 mm	Diameter lubrication hole
n_s	6,5 mm	Width of lubricating groove

Mounting dimensions

$d_{a\min}$	138,8 mm	Minimum diameter shaft shoulder
$D_{a\max}$	191,2 mm	Maximum diameter of housing shoulder
$r_{a\max}$	2 mm	Maximum recess radius

Additional information

e	0,31	Limiting value of Fa/Fr for the applicability of diff. Values of factors X and Y
Y ₁	2,21	Dynamic axial load factor
Y ₂	3,29	Dynamic axial load factor
Y ₀	2,16	Static axial load factor