



FAG

## ★ 24030-BE-XL

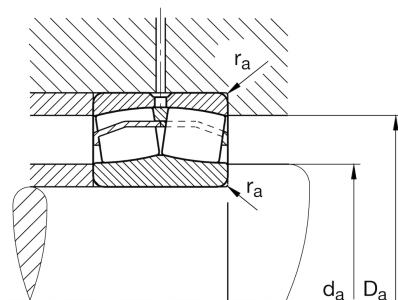
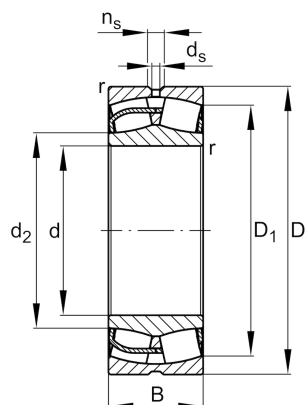
Spherical roller bearing

Schaeffler ID:  
0584905660000Spherical roller bearing 240..-BE-XL,  
symmetric with rib washer

★ Preferred product

X-life

## Technical information



## Temperature range

$T_{\min}$	-30 °C	Operating temperature min.
------------	--------	----------------------------

$T_{\max}$	200 °C	Operating temperature max.
------------	--------	----------------------------

	10,334 kg	Weight
--	-----------	--------

## Main Dimensions &amp; Performance Data

d	150 mm	Bore diameter
D	225 mm	Outside diameter
B	75 mm	Width
$C_r$	680.000 N	Basic dynamic load rating, radial
$C_{0r}$	1.090.000 N	Basic static load rating, radial
$C_{ur}$	125.000 N	Fatigue load limit, radial
$n_G$	2.750 1/min	Limiting speed
$n_{gr}$	1.790 1/min	Reference speed

## Dimensions

$r_{\min}$	2,1 mm	Minimum chamfer dimension
$D_1$	199,4 mm	Bore diameter outer ring
$d_2$	168,1 mm	Raceway diameter of the inner ring
$d_s$	3,2 mm	Diameter lubrication hole
$n_s$	6,5 mm	Width of lubricating groove

## Mounting dimensions

$d_{a\min}$	160,2 mm	Minimum diameter shaft shoulder
$D_{a\max}$	214,8 mm	Maximum diameter of housing shoulder
$r_{a\max}$	2,1 mm	Maximum recess radius

**Additional information**

e	0,29	Limiting value of Fa/Fr for the applicability of diff. Values of factors X and Y
Y <sub>1</sub>	2,32	Dynamic axial load factor
Y <sub>2</sub>	3,45	Dynamic axial load factor
Y <sub>0</sub>	2,26	Static axial load factor