



FAG

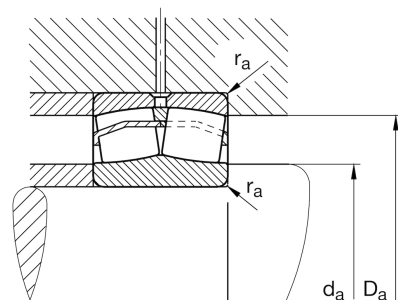
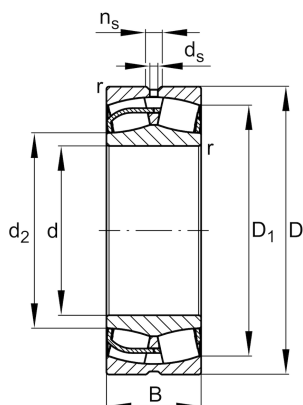
24034-BE-XL

Spherical roller bearing

Schaeffler ID:
0635359710000Spherical roller bearing 240..-BE-XL,
symmetric with rib washer

X-life

Technical information



Main Dimensions & Performance Data

d	170 mm	Bore diameter
D	260 mm	Outside diameter
B	90 mm	Width
C _r	940.000 N	Basic dynamic load rating, radial
C _{0r}	1.480.000 N	Basic static load rating, radial
C _{ur}	162.000 N	Fatigue load limit, radial
n _G	2.380 1/min	Limiting speed
n _{gr}	1.540 1/min	Reference speed
	16,968 kg	Weight

Additional information

r _{min}	2,1 mm	Minimum chamfer dimension
D ₁	228,4 mm	Bore diameter outer ring
d ₂	190 mm	Raceway diameter of the inner ring
d _s	4,8 mm	Diameter lubrication hole
n _s	9,5 mm	Width of lubricating groove

Mounting dimensions

d _{a min}	180,2 mm	Minimum diameter shaft shoulder
D _{a max}	249,8 mm	Maximum diameter of housing shoulder
r _{a max}	2,1 mm	Maximum recess radius

Calculation factors

e	0,31	Limiting value of Fa/Fr for the applicability of diff. Values of factors X and Y
Y ₁	2,2	Dynamic axial load factor
Y ₂	3,27	Dynamic axial load factor
Y ₀	2,15	Static axial load factor

Temperature range

T _{min}	-30 °C	Operating temperature min.
T _{max}	200 °C	Operating temperature max.