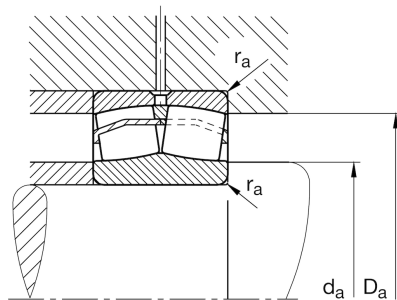
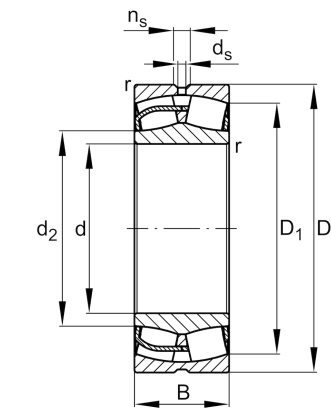


## Technical information



### Temperature range

$T_{min}$	-30 °C	Operating temperature min.
$T_{max}$	200 °C	Operating temperature max.
	23,441 kg	Weight

### Main Dimensions & Performance Data

$d$	190 mm	Bore diameter
$D$	290 mm	Outside diameter
$B$	100 mm	Width
$C_r$	1.160.000 N	Basic dynamic load rating, radial
$C_{0r}$	1.860.000 N	Basic static load rating, radial
$C_{ur}$	197.000 N	Fatigue load limit, radial
$n_G$	2.140 1/min	Limiting speed
$n_{gr}$	1.330 1/min	Reference speed

### Dimensions

$r_{min}$	2,1 mm	Minimum chamfer dimension
$D_1$	255 mm	Bore diameter outer ring
$d_2$	211,9 mm	Raceway diameter of the inner ring
$d_s$	4,8 mm	Diameter lubrication hole
$n_s$	9,5 mm	Width of lubricating groove

### Mounting dimensions

$d_{a min}$	200,2 mm	Minimum diameter shaft shoulder
$D_{a max}$	279,8 mm	Maximum diameter of housing shoulder
$r_{a max}$	2,1 mm	Maximum recess radius

**Additional information**

e	0,31	Limiting value of Fa/Fr for the applicability of diff. Values of factors X and Y
Y <sub>1</sub>	2,2	Dynamic axial load factor
Y <sub>2</sub>	3,27	Dynamic axial load factor
Y <sub>0</sub>	2,15	Static axial load factor