



FAG

★ 24040-BE-XL

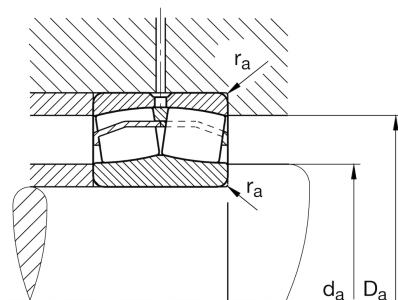
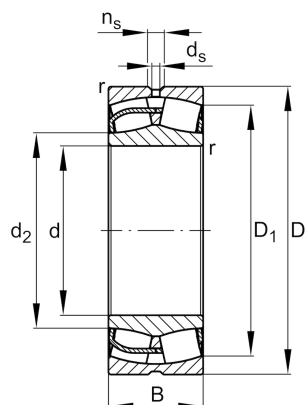
Spherical roller bearing

Schaeffler ID:
0650201970000Spherical roller bearing 240..-BE-XL,
symmetric with rib washer

★ Preferred product

X-life

Technical information



Temperature range

T_{\min}	-30 °C	Operating temperature min.
------------	--------	----------------------------

T_{\max}	200 °C	Operating temperature max.
------------	--------	----------------------------

	29,647 kg	Weight
--	-----------	--------

Main Dimensions & Performance Data

d	200 mm	Bore diameter
D	310 mm	Outside diameter
B	109 mm	Width
C_r	1.350.000 N	Basic dynamic load rating, radial
C_{0r}	2.150.000 N	Basic static load rating, radial
C_{ur}	221.000 N	Fatigue load limit, radial
n_G	2.010 1/min	Limiting speed
n_{gr}	1.240 1/min	Reference speed

Dimensions

r_{\min}	2,1 mm	Minimum chamfer dimension
D_1	271,6 mm	Bore diameter outer ring
d_2	223,6 mm	Raceway diameter of the inner ring
d_s	6,3 mm	Diameter lubrication hole
n_s	12,2 mm	Width of lubricating groove

Mounting dimensions

$d_{a\min}$	210,2 mm	Minimum diameter shaft shoulder
$D_{a\max}$	299,8 mm	Maximum diameter of housing shoulder
$r_{a\max}$	2,1 mm	Maximum recess radius

Additional information

e	0,32	Limiting value of Fa/Fr for the applicability of diff. Values of factors X and Y
Y ₁	2,13	Dynamic axial load factor
Y ₂	3,17	Dynamic axial load factor
Y ₀	2,08	Static axial load factor