



FAG

## ★ 24044-BE-XL

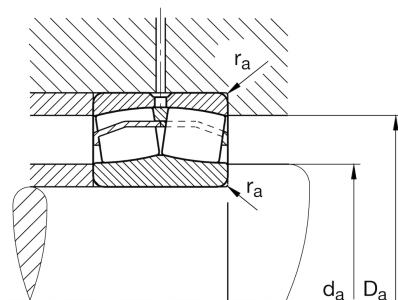
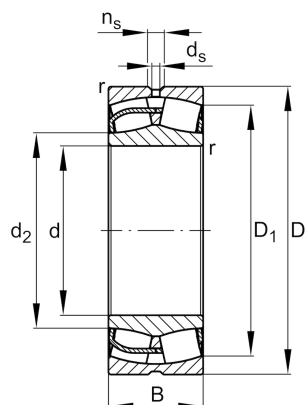
Spherical roller bearing

Schaeffler ID:  
0675990440000Spherical roller bearing 240..-BE-XL,  
symmetric with rib washer

★ Preferred product

X-life

## Technical information



## Temperature range

$T_{\min}$	-30 °C	Operating temperature min.
------------	--------	----------------------------

$T_{\max}$	200 °C	Operating temperature max.
------------	--------	----------------------------

	38,375 kg	Weight
--	-----------	--------

## Main Dimensions &amp; Performance Data

d	220 mm	Bore diameter
D	340 mm	Outside diameter
B	118 mm	Width
$C_r$	1.620.000 N	Basic dynamic load rating, radial
$C_{0r}$	2.600.000 N	Basic static load rating, radial
$C_{ur}$	260.000 N	Fatigue load limit, radial
$n_G$	1.830 1/min	Limiting speed
$n_{gr}$	1.090 1/min	Reference speed

## Dimensions

$r_{\min}$	3 mm	Minimum chamfer dimension
$D_1$	295,7 mm	Bore diameter outer ring
$d_2$	245 mm	Raceway diameter of the inner ring
$d_s$	6,3 mm	Diameter lubrication hole
$n_s$	12,2 mm	Width of lubricating groove

## Mounting dimensions

$d_{a\min}$	232,4 mm	Minimum diameter shaft shoulder
$D_{a\max}$	327,6 mm	Maximum diameter of housing shoulder
$r_{a\max}$	2,5 mm	Maximum recess radius

**Additional information**

e	0,32	Limiting value of Fa/Fr for the applicability of diff. Values of factors X and Y
Y <sub>1</sub>	2,1	Dynamic axial load factor
Y <sub>2</sub>	3,13	Dynamic axial load factor
Y <sub>0</sub>	2,06	Static axial load factor