



FAG

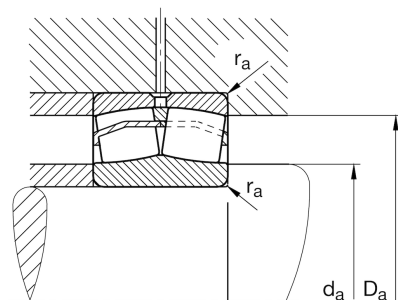
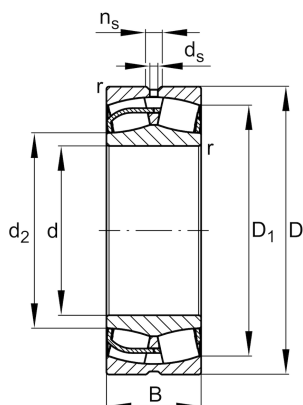
24052-BE-XL

Spherical roller bearing

Schaeffler ID:
0694119990000Spherical roller bearing 240..-BE-XL,
symmetric with rib washer

X-life

Technical information



Main Dimensions & Performance Data

d	260 mm	Bore diameter
D	400 mm	Outside diameter
B	140 mm	Width
C _r	2.210.000 N	Basic dynamic load rating, radial
C _{0r}	3.650.000 N	Basic static load rating, radial
C _{ur}	345.000 N	Fatigue load limit, radial
n _G	1.510 1/min	Limiting speed
n _{gr}	880 1/min	Reference speed
	62,925 kg	Weight

Additional information

r _{min}	4 mm	Minimum chamfer dimension
D ₁	349 mm	Bore diameter outer ring
d ₂	288,3 mm	Raceway diameter of the inner ring
d _s	6,3 mm	Diameter lubrication hole
n _s	12,2 mm	Width of lubricating groove

Mounting dimensions

d _{a min}	274,6 mm	Minimum diameter shaft shoulder
D _{a max}	385,4 mm	Maximum diameter of housing shoulder
r _{a max}	3 mm	Maximum recess radius

Calculation factors

e	0,32	Limiting value of Fa/Fr for the applicability of diff. Values of factors X and Y
Y ₁	2,09	Dynamic axial load factor
Y ₂	3,11	Dynamic axial load factor
Y ₀	2,04	Static axial load factor

Temperature range

T _{min}	-30 °C	Operating temperature min.
T _{max}	200 °C	Operating temperature max.