

FAG

★ 24124-BE-XL

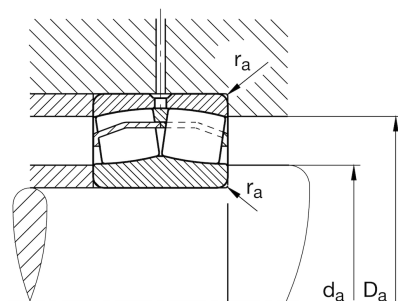
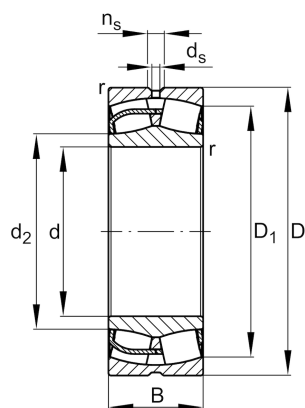
Spherical roller bearing

Schaeffler ID:
0581116540000Spherical roller bearing 241..-BE-XL,
symmetric with rib washer

★ Preferred product

X-life

Technical information



Temperature range

T_{min}	-30 °C	Operating temperature min.
T_{max}	200 °C	Operating temperature max.
	9,863 kg	Weight

Main Dimensions & Performance Data

d	120 mm	Bore diameter
D	200 mm	Outside diameter
B	80 mm	Width
C_r	680.000 N	Basic dynamic load rating, radial
C_{0r}	950.000 N	Basic static load rating, radial
C_{ur}	103.000 N	Fatigue load limit, radial
n_G	2.950 1/min	Limiting speed
n_{gr}	1.740 1/min	Reference speed

Dimensions

r_{min}	2 mm	Minimum chamfer dimension
D_1	170,3 mm	Bore diameter outer ring
d_2	136,6 mm	Raceway diameter of the inner ring
d_s	3,2 mm	Diameter lubrication hole
n_s	6,5 mm	Width of lubricating groove

Mounting dimensions

$d_{a min}$	131 mm	Minimum diameter shaft shoulder
$D_{a max}$	189 mm	Maximum diameter of housing shoulder
$r_{a max}$	2 mm	Maximum recess radius

Additional information

e	0,37	Limiting value of Fa/Fr for the applicability of diff. Values of factors X and Y
Y ₁	1,84	Dynamic axial load factor
Y ₂	2,74	Dynamic axial load factor
Y ₀	1,8	Static axial load factor