



FAG

★ 24126-BE-XL

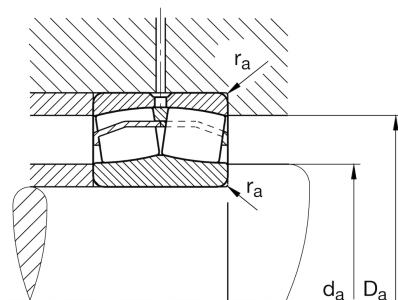
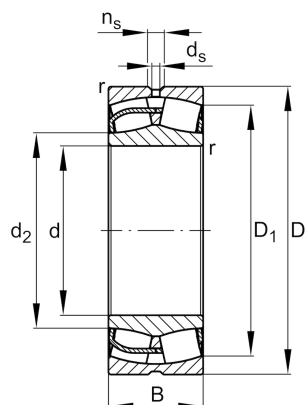
Spherical roller bearing

Schaeffler ID:
0575612490000Spherical roller bearing 241..-BE-XL,
symmetric with rib washer

★ Preferred product

X-life

Technical information



Temperature range

T_{\min}	-30 °C	Operating temperature min.
------------	--------	----------------------------

T_{\max}	200 °C	Operating temperature max.
------------	--------	----------------------------

	10,576 kg	Weight
--	-----------	--------

Main Dimensions & Performance Data

d	130 mm	Bore diameter
D	210 mm	Outside diameter
B	80 mm	Width
C_r	710.000 N	Basic dynamic load rating, radial
C_{0r}	1.050.000 N	Basic static load rating, radial
C_{ur}	112.000 N	Fatigue load limit, radial
n_G	2.800 1/min	Limiting speed
n_{gr}	1.560 1/min	Reference speed

Dimensions

r_{\min}	2 mm	Minimum chamfer dimension
D_1	181,2 mm	Bore diameter outer ring
d_2	148,3 mm	Raceway diameter of the inner ring
d_s	3,2 mm	Diameter lubrication hole
n_s	6,5 mm	Width of lubricating groove

Mounting dimensions

$d_{a\min}$	141 mm	Minimum diameter shaft shoulder
$D_{a\max}$	199 mm	Maximum diameter of housing shoulder
$r_{a\max}$	2 mm	Maximum recess radius

Additional information

e	0,34	Limiting value of Fa/Fr for the applicability of diff. Values of factors X and Y
Y ₁	1,98	Dynamic axial load factor
Y ₂	2,94	Dynamic axial load factor
Y ₀	1,93	Static axial load factor